



OPF**L**B01***

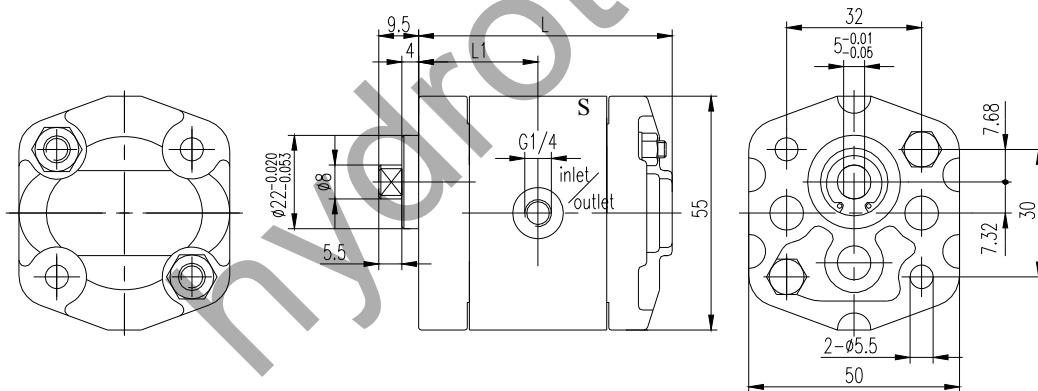
OPF

Specifications -

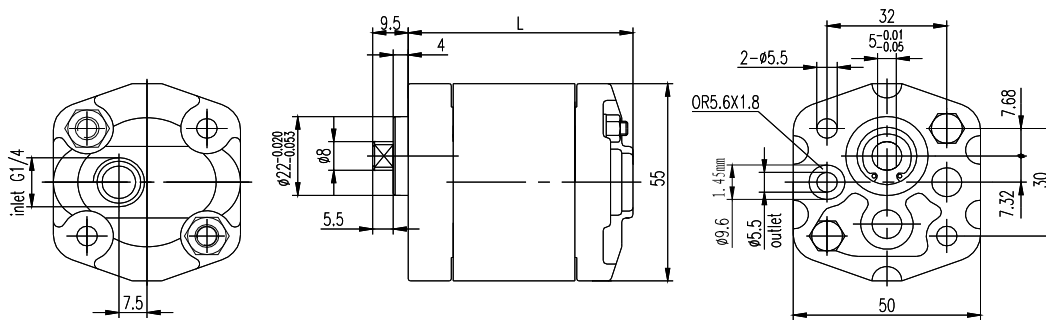
Model	Displacement (ml/r)	Pressure (bar)		Speed (r/min)			L (mm)	SS L1(mm)	Inlet (mm)
		Rated	Peak	Rated	Max	Min			
OPF0.16L07B01***	0.16	200	250	2000	6000	800	58.2	30.8	G1/4
OPF0.25L07B01***	0.25	200	250	2000	6000	800	59	31.3	
OPF0.38L07B01***	0.38	200	250	2000	6000	800	60.3	31.9	
OPF0.50L07B01***	0.50	200	250	2000	6000	800	61	32.3	
OPF0.75L07B01***	0.75	200	250	2000	6000	800	63.5	33.5	
OPF1.00L07B01***	1.00	200	250	2000	6000	800	66	34.8	
OPF1.25L07B01***	1.25	200	250	2000	5000	800	68.5	36	
OPF1.50L07B01***	1.50	200	250	2000	4500	800	70	37	
OPF1.75L07B01***	1.75	200	250	2000	4000	800	73	38.3	
OPF2.00L07B01***	2.00	160	200	2000	3500	800	75.5	39.5	

Dimension -

OPF**L06B01LS



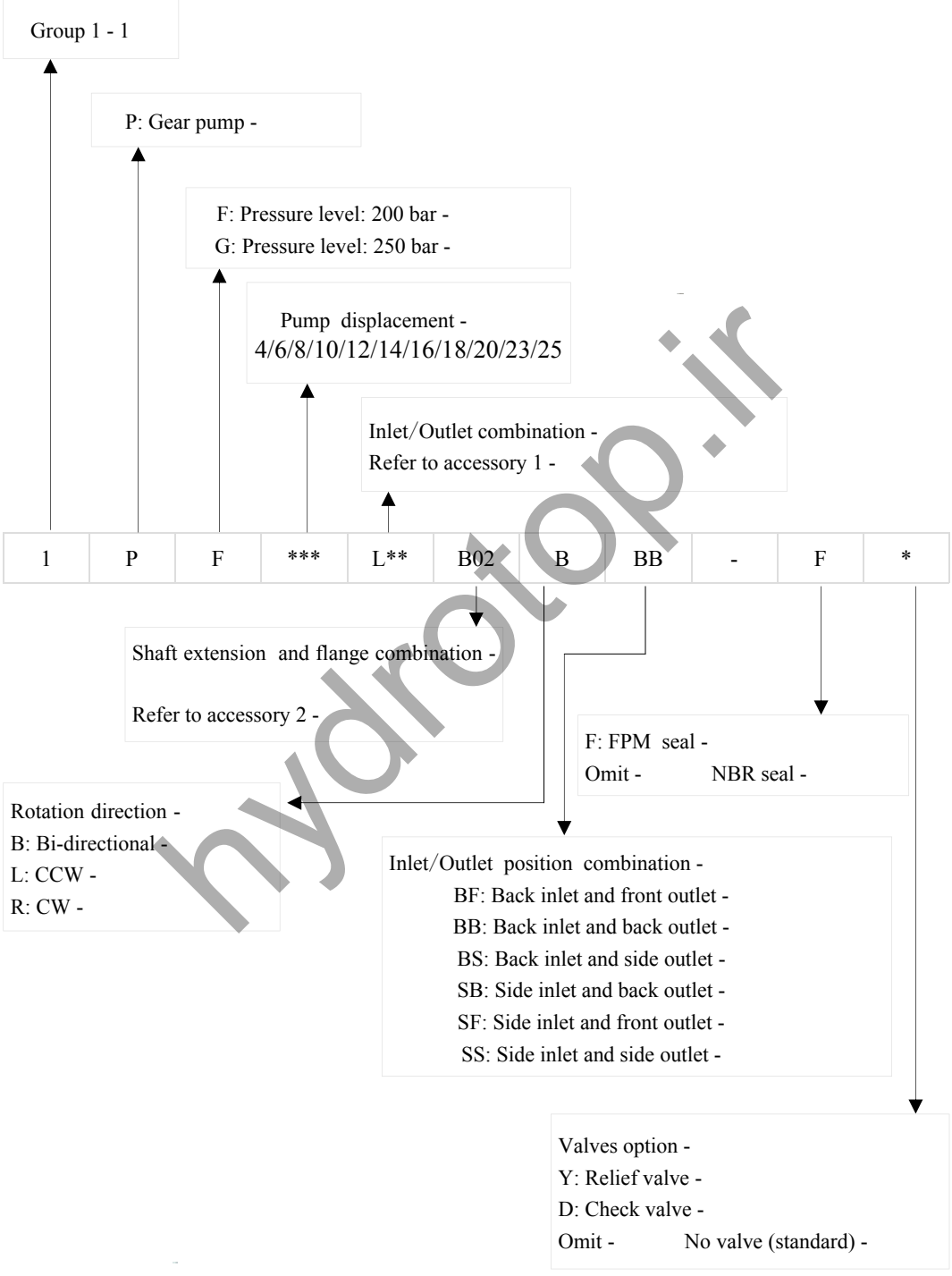
OPF**L07B01LBF



OPF**L**B01***

1PFL**B02*****
 Ordering Code -

1PF



1PFL**B02*****



1PF**L**B02***

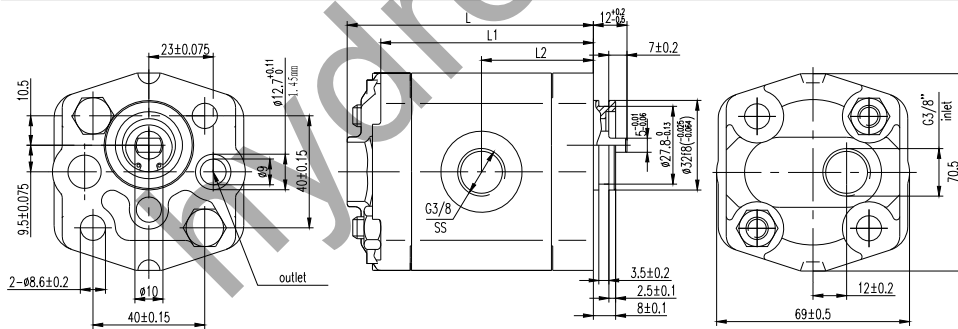
Specifications -

Model	Displacement (ml/r)	Pressure (bar)		Speed (r/min)			L (mm)	L1 (mm)	SS L2 (mm)	Inlet (mm)
		Rated	Peak	Rated	Max	Min				
1PF1.1L01B02***	1.1	200	250	2000	6000	600	74	63	33	G3/8
1PF1.3L01B02***	1.3	200	250	2000	6000	600	75	64	33.5	
1PF1.6L01B02***	1.6	200	250	2000	6000	600	76	65	34	
1PF1.8L01B02***	1.8	200	250	2000	6000	600	77	66	34.5	
1PF2.1L01B02***	2.1	200	250	2000	6000	600	78	67	35	
1PF2.7L01B02***	2.7	200	250	2000	6000	600	80	69	36	
1PF3.2L01B02***	3.2	200	250	2000	5000	600	82	71	37	
1PF3.7L01B02***	3.7	200	250	2000	4500	600	84	73	38	
1PF4.2L01B02***	4.2	200	250	2000	4000	600	86	75	39	
1PF4.8L01B02***	4.8	160	200	2000	3500	600	88	77	40	
1PF5.8L01B02***	5.8	160	200	2000	2900	600	92	81	42	
1PF8.0L01B02***	8.0	160	200	2000	2100	600	100	89	46	

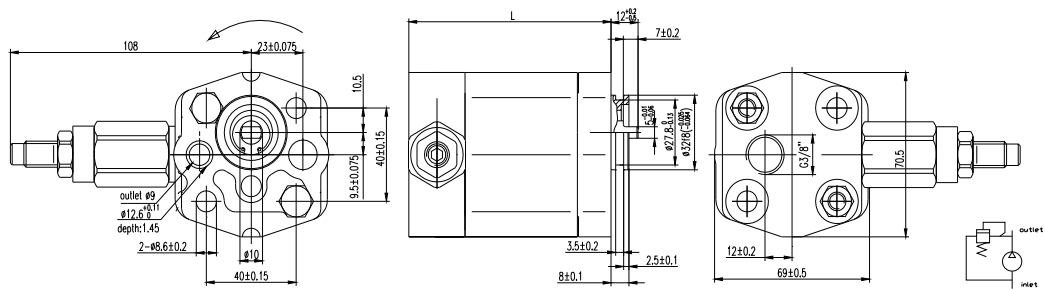


Dimension -

1PF**L01B02 With Relief Valves - 1PF**L01B02



Adjusted Pressure of Relief Valves - 50 Bar To 250 Bar

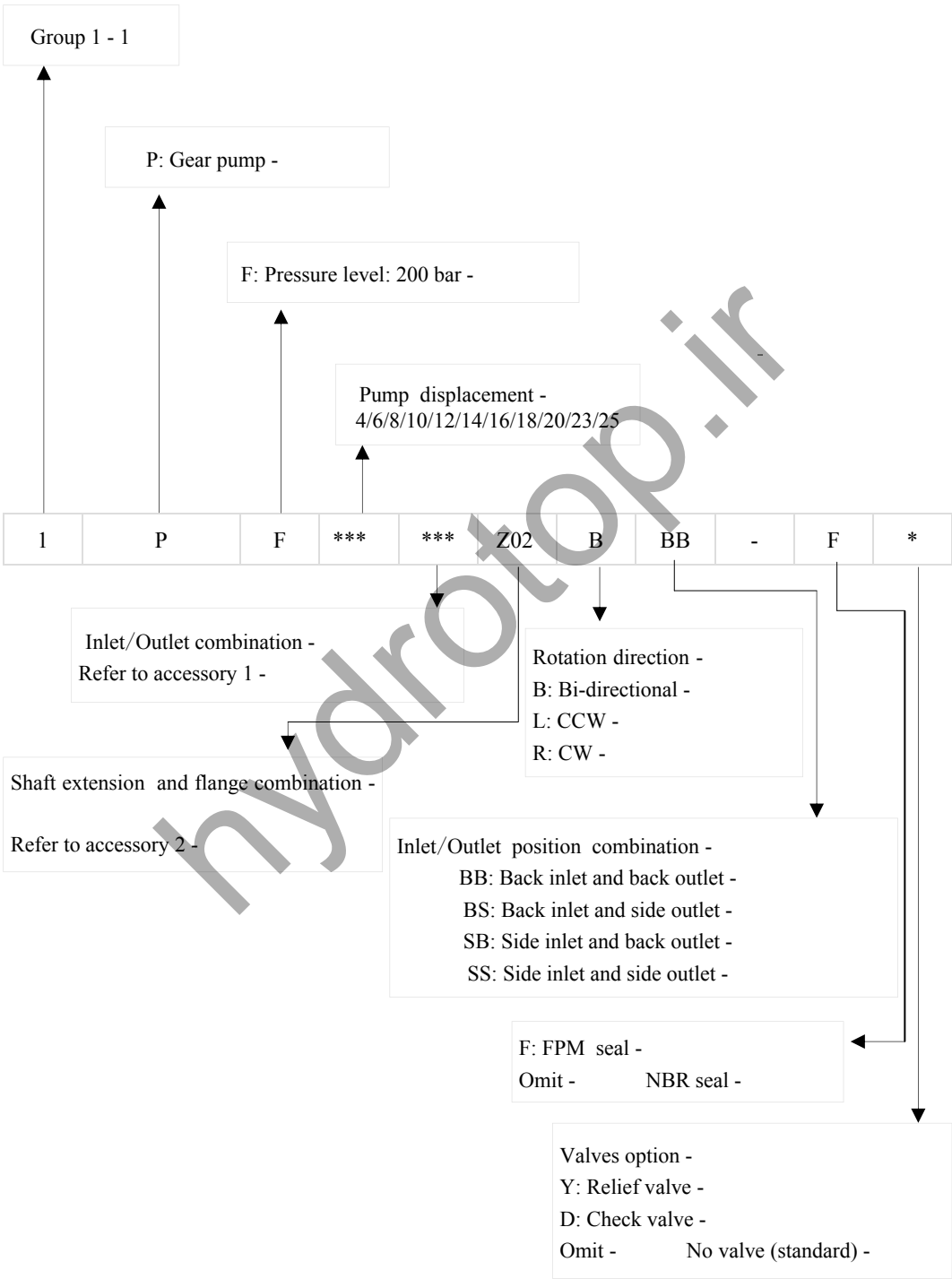


1PF**L**B02***

1PF***Z02**

Ordering Code -

1PF

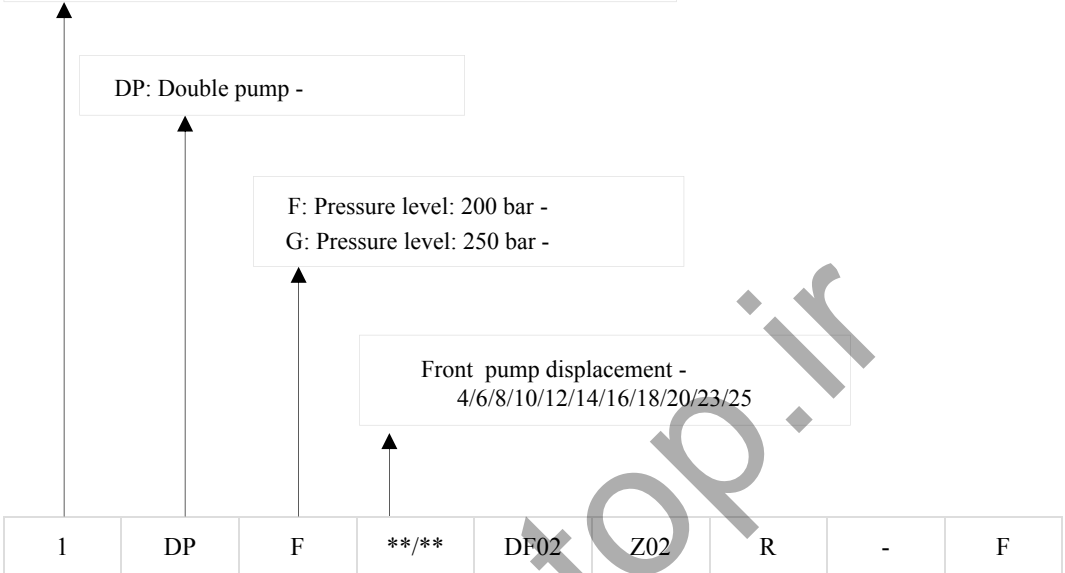


1PF***Z02**

 **1DPF**/****

Ordering Code -

Group 1 - 1 Group 1+Group1 double pump - 1



1PF

1DPF/****



1PF*****Z02/1DPF*****Z02

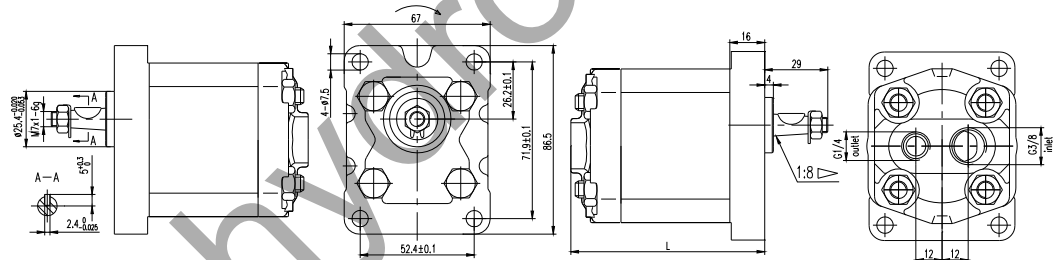
Specifications -

Model	Displacement (ml/r)	Pressure (bar)		Speed (r/min)			L (mm)	L1 (mm)
		Rated	Peak	Rated	Max	Min		
1PF1.1*****Z02**	1.1	200	250	2000	6000	600	75	33
1PF1.3*****Z02**	1.3	200	250	2000	6000	600	76	34
1PF1.6*****Z02**	1.6	200	250	2000	6000	600	78	35
1PF1.8*****Z02**	1.8	200	250	2000	6000	600	78.5	35.5
1PF2.1*****Z02**	2.1	200	250	2000	6000	600	79	36
1PF2.7*****Z02**	2.7	200	250	2000	6000	600	81	37
1PF3.2*****Z02**	3.2	200	250	2000	5000	600	83	38
1PF3.7*****Z02**	3.7	200	250	2000	4500	600	85	39
1PF4.2*****Z02**	4.2	200	250	2000	4000	600	87	40
1PF4.8*****Z02**	4.8	160	200	2000	3500	600	89	41
1PF5.8*****Z02**	5.8	160	200	2000	2900	600	93	43
1PF8.0*****Z02**	8.0	160	200	2000	2100	600	101	47

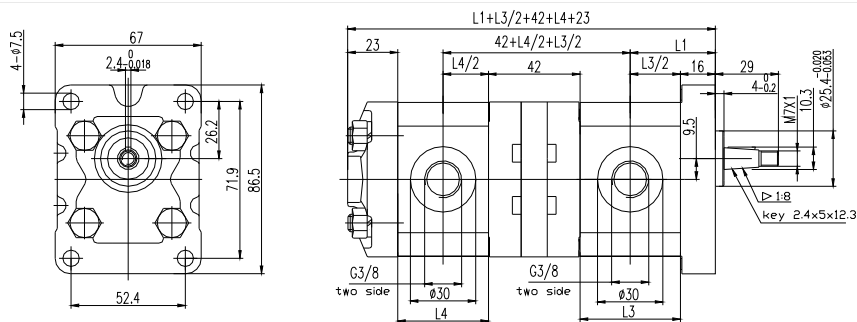
1PF

Dimension -

1PF***L44Z02BB



1DPF**/**DL**Z02* Double Pumps - 1DPF**/**DL**Z02*



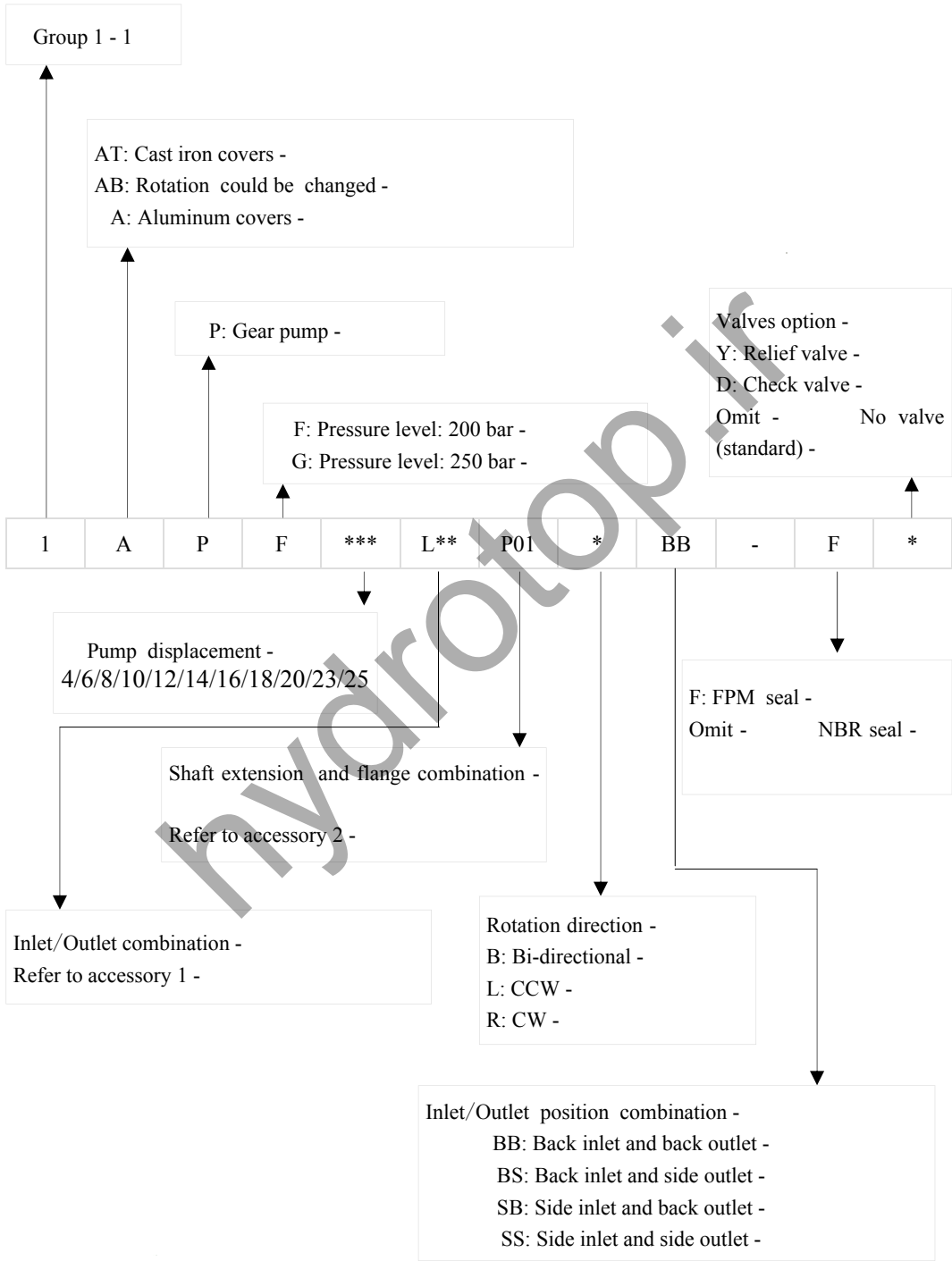
Displacement - ml(r)	1.1	1.3	1.6	2.1	2.7	3.2	3.7	4.2	4.8	5.8	8.0
L3(Front Pump) L4(Rear Pump)	36	37	38	40	42	44	46	48	50	54	62

1PF*****Z02/1DPF*****Z02

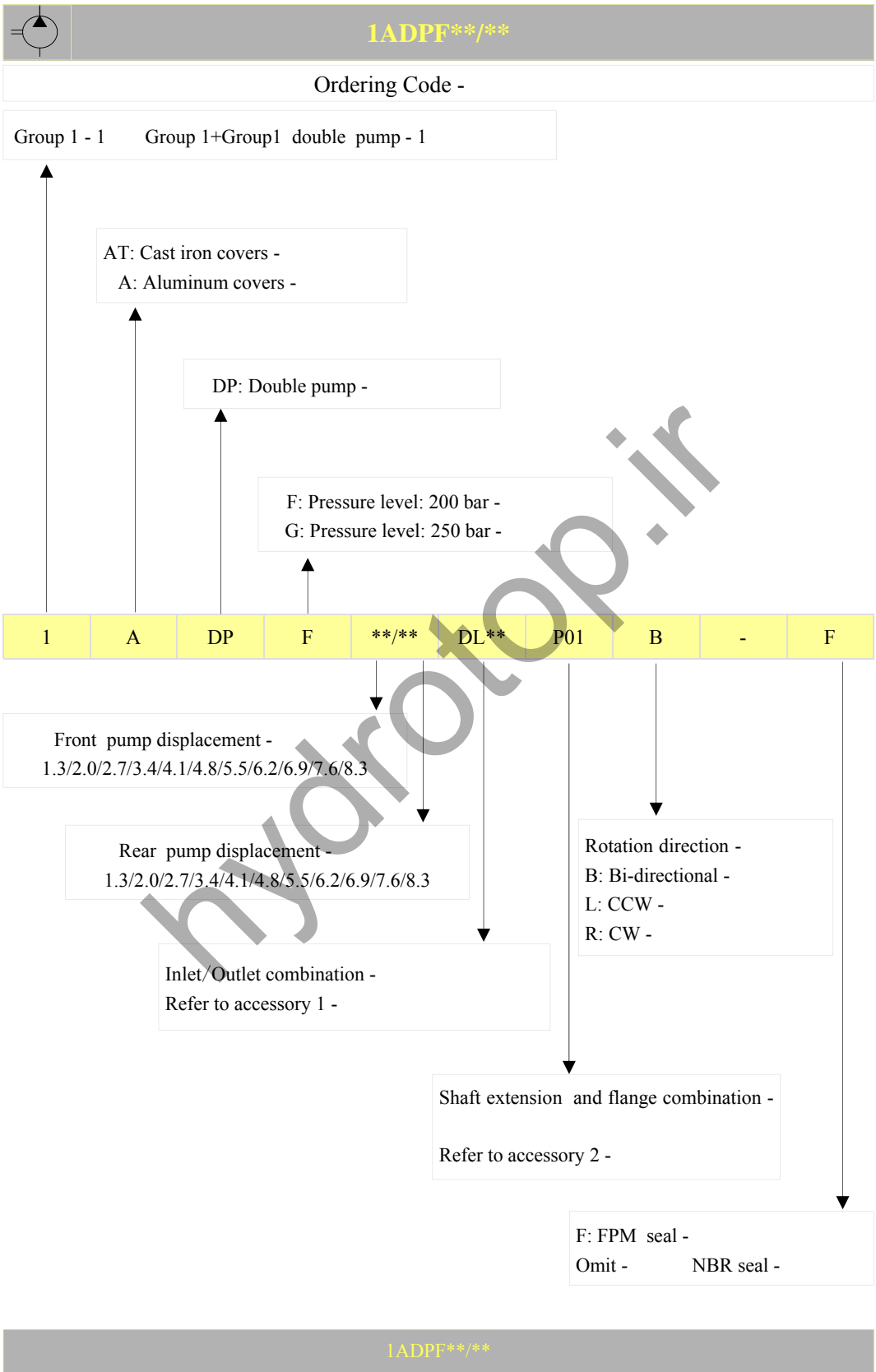
1APF*L**P01***

Ordering Code -

1PF



1APF*L**P01***



1PF



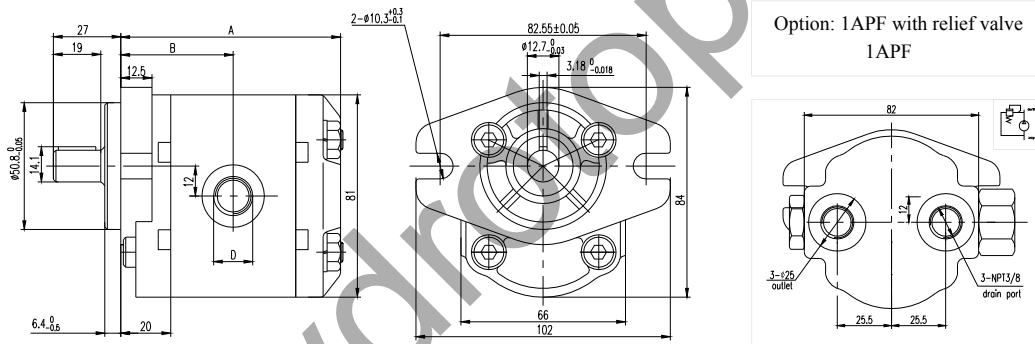
1APF***L**P01*/1ADPF***DL**P01*

Specifications -

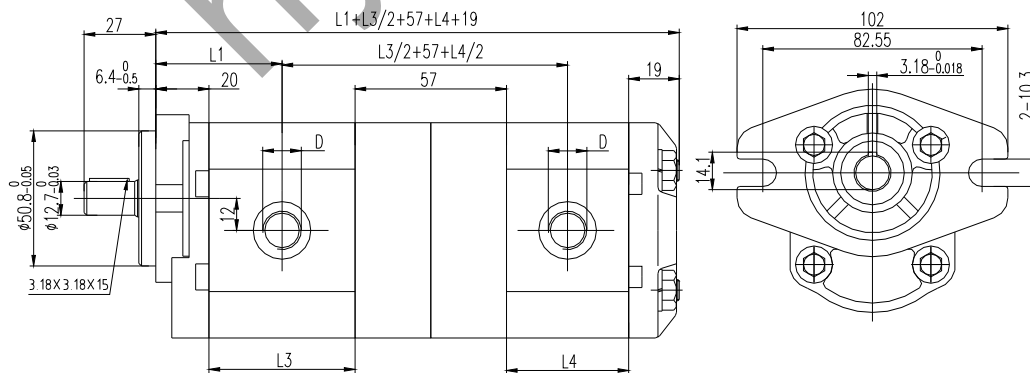
IPF

Model	Displacement (ml/r)	Pressure (bar)		Speed (r/min)			A (mm)	B (mm)	D (mm)	
		Rated	Peak	Rated	Max	Min			Inlet	Outlet
1APF1.3L05P01*	1.3	200	250	2000	4500	500	82	42	G 1/2	G 3/8
1APF2.0L05P01*	2.0	200	250	2000	4500	500	84	43		
1APF2.7L05P01*	2.7	200	250	2000	4500	500	86	44		
1APF3.4L05P01*	3.4	200	250	2000	4500	500	88	45		
1APF4.1L05P01*	4.1	200	250	2000	4000	500	90	46		
1APF5.1L05P01*	5.1	200	250	2000	3200	500	93	47.5		
1APF6.1L05P01*	6.1	200	250	2000	3200	500	96	49		

Dimension -



1ADPF***DL**P01* Double Pumps - 1ADPF***DL**P01*



Displacement - ml/r	1.3	2.0	2.7	3.4	4.1	5.1	6.1
L3(Front Pump) L4(Rear Pump)	44	46	48	50	52	55	58

1APF***L**P01*/1ADPF***DL**P01*/

 **1.5PF**F50P04***

Ordering Code -

Group 1.5

P: Gear pump -

F: Pressure level: 200 bar -
G: Pressure level: 250 bar -

Pump displacement -
4/6/8/10/12/14/16/18/20/23/25

Inlet/Outlet combination -
Refer to accessory 1 -

1.5	P	F	**	F50	P04	*	-	F	*
-----	---	---	----	-----	-----	---	---	---	---

Shaft extension and flange combination -
Refer to accessory 2 -

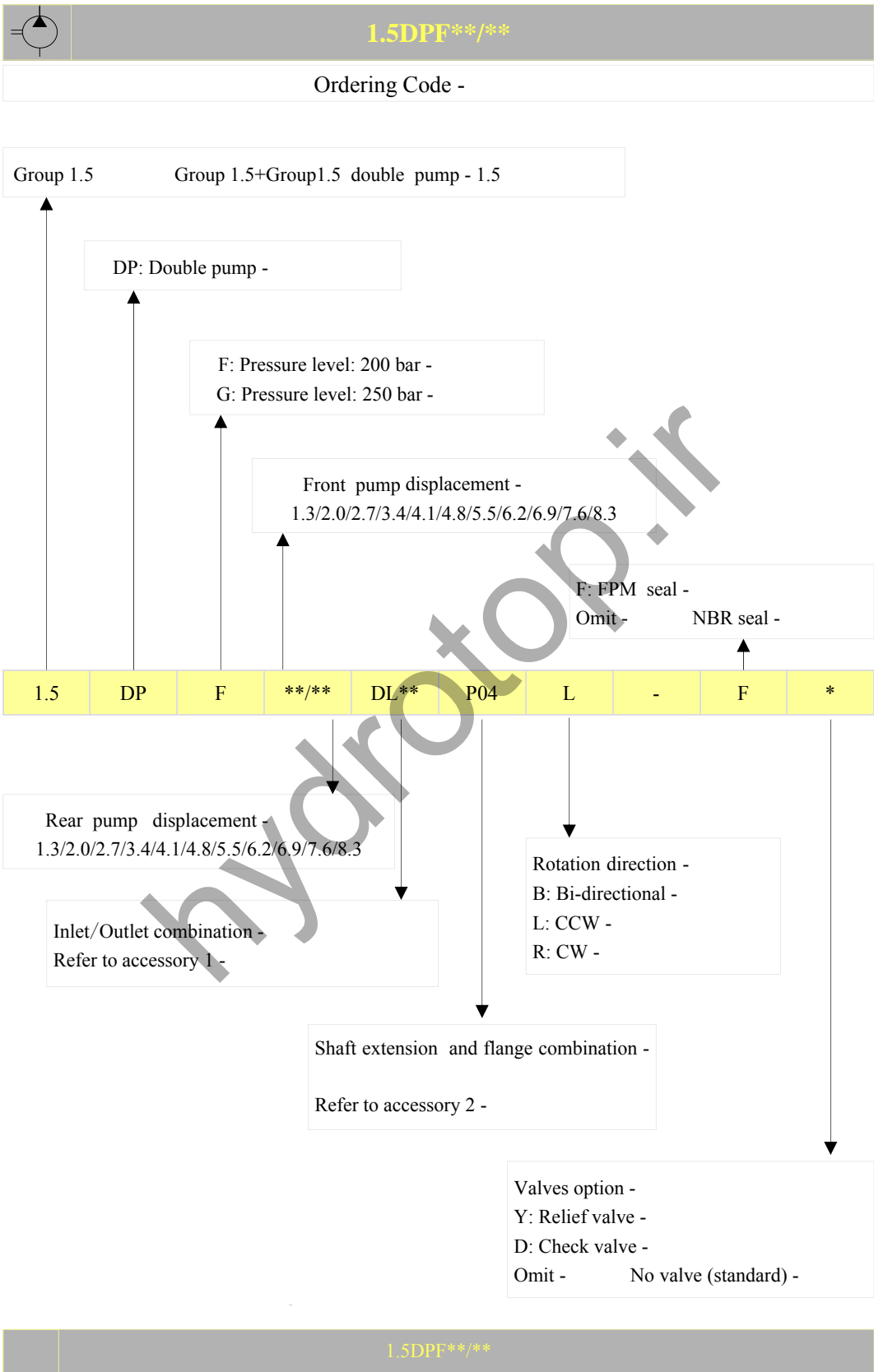
Rotation direction -
L: CCW -
R: CW -

F: FPM seal -
Omit - NBR seal -

Valves option -
Y: Relief valve -
D: Check valve -
Omit - No valve (standard) -

1.5PF

1.5PFF50P04***



1.5PF



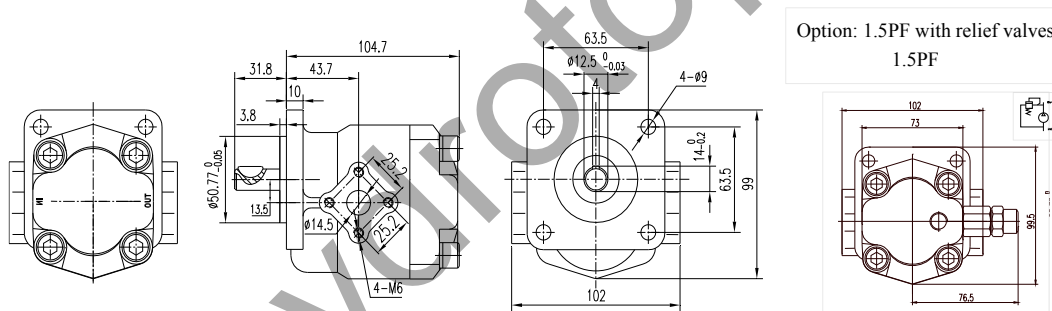
1.5PF**F50P04*/1.5DPF**F50P04*

Specifications -

Model	Displacement (ml/r)	Pressure (bar)		Speed (r/min)		
		Rated	Peak	Rated	Max	Min
1.5PF2F50P04*	2	210	250	3500	3500	500
1.5PF3F50P04*	3	210	250	3500	3500	500
1.5PF4F50P04*	4	210	250	3500	3500	500
1.5PF5F50P04*	5	210	250	3500	3500	500
1.5PF6F50P04*	6	210	250	3500	3500	500
1.5PF8F50P04*	8	210	250	3500	3500	500
1.5PF9F50P04*	9	175	210	1500	2000	500
1.5PF11F50P04*	11	175	210	1500	2000	500
1.5PF12F50P04*	12	175	210	1500	2000	500

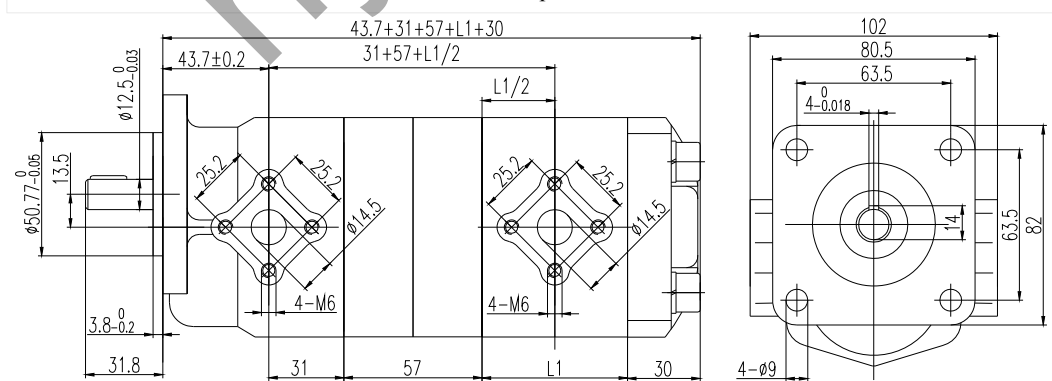
1.5PF

Dimension -



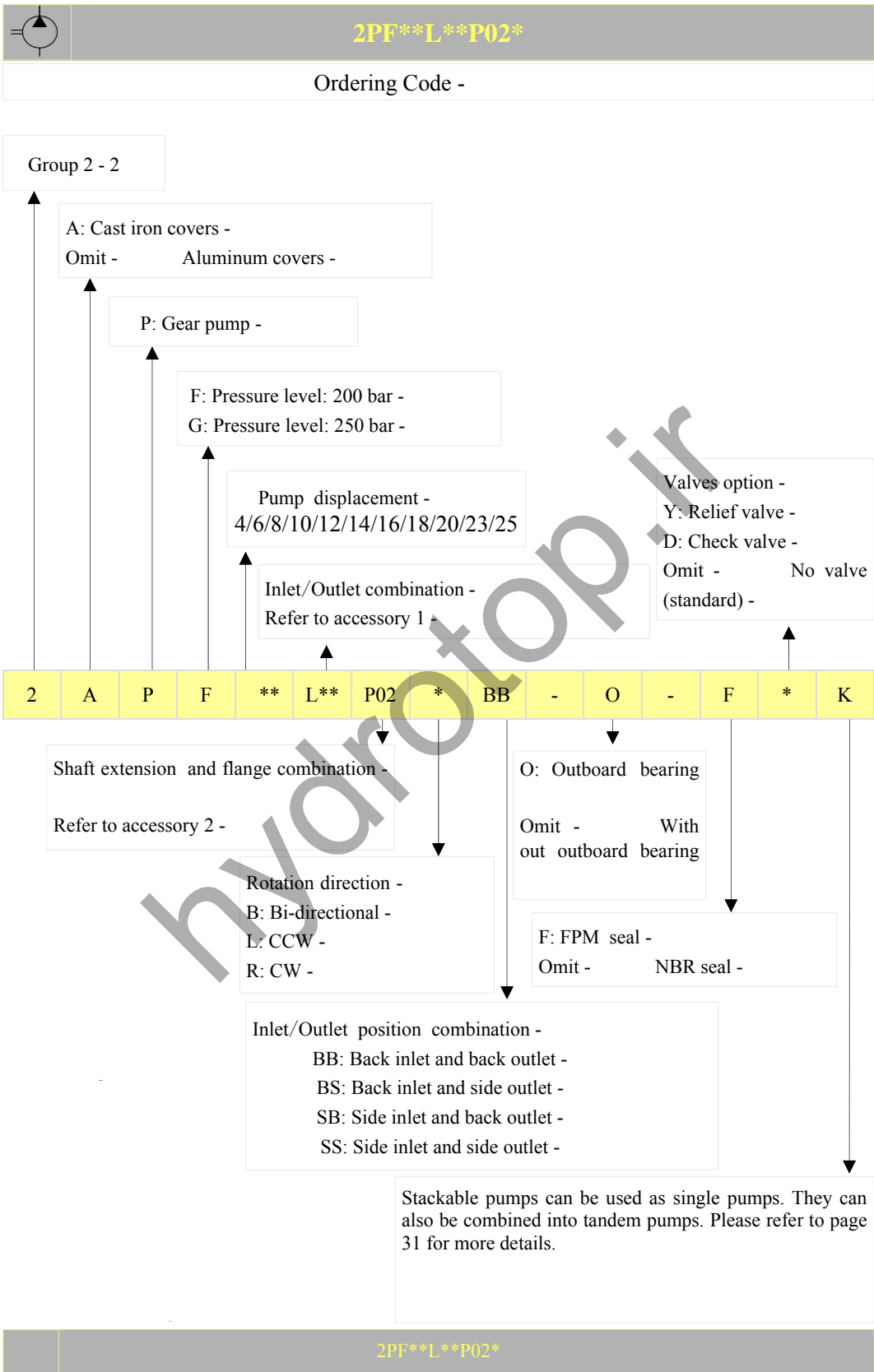
Option: 1.5PF with relief valves
1.5PF

1.5DPF**F50P04* Double Pumps - 1.5DPF**F50P04*



Displacement - ml/r	2	3	4	5	6	7	8	9	10	11	12
L1 (mm)	42	44	46	48	50	52	54	56	58	60	62

1.5PF**F50P04*/1.5DPF**F50P04*



 **2AD(T)PF**/****

Ordering Code -

2: Group 2 double pump or triple pump - 2
 2/1: Group 2+group 1 double pump - 2 +1

A: Cast iron covers -
 Omit - Aluminum covers -

DP: Double pump -
 TP: Triple pump -

F: Pressure level: 200 bar -
 G: Pressure level: 250 bar -

Front pump displacement -
 4/6/8/10/12/14/16/18/20/23/25

Rotation direction -
 L: CCW -
 R: CW -

F: FPM seal -
 Omit - NBR seal -

2 A DP F **/(**)/** DF02(TF02) Z03 L - O F *

Middle pump displacement -
 4/6/8/10/12/14/16/18/20/23/25

Rear pump displacement -
 4/6/8/10/12/14/16/18/20/23/25

Inlet/Outlet combination -
 Refer to accessory 1 -

O: Outboard bearing
 Omit - With out outboard bearing

Shaft extension and flange combination -
 Refer to accessory 2 -

Valves option -
 Y: Relief valve -
 D: Check valve -
 Omit - No valve (standard) -

2AD(T)PF/****

2PF



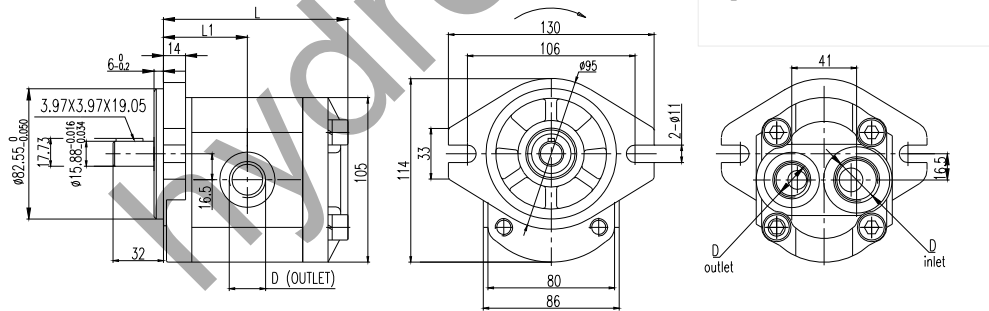
2PF**L**P02*

Specifications -

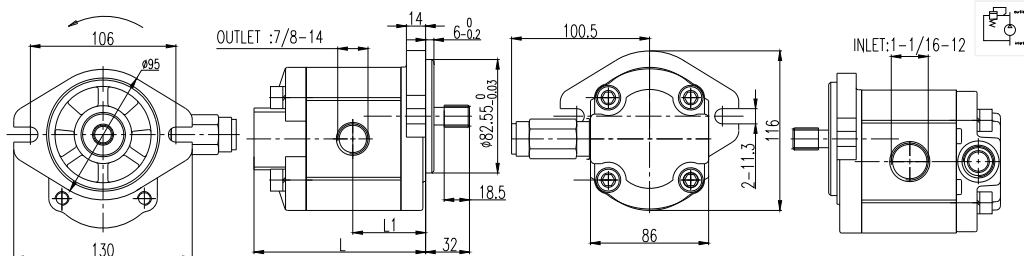
Model	Displacement (ml/r)	Pressure (bar)		Speed (r/min)			L (mm)	L1 (mm)	D (mm)	
		Rated	Peak	Rated	Max	Min			Inlet	Outlet
2PF4L09P02*	4	200(250)	250(300)	2000	3500	500	96	43.3	PT 1/2	PT 1/2
2PF6L09P02*	6	200(250)	250(300)	2000	3500	500	98	45		
2PF8L09P02*	8	200(250)	250(300)	2000	3500	500	102	46.5		
2PF10L09P02*	10	200(250)	250(300)	2000	3500	500	104	48		
2PF12L10P02*	12	200(250)	250(300)	2000	3500	500	108	50		
2PF14L10P02*	14	200(250)	250(300)	2000	3500	500	110	51	PT 3/4	PT 1/2
2PF16L10P02*	16	200(250)	250(280)	2000	3500	500	114	53		
2PF18L10P02*	18	200(250)	250(280)	2000	3500	500	117	55		
2PF20L10P02*	20	200(250)	250(280)	2000	3500	500	120	56		
2PF23L10P02*	23	200	250	2000	3000	500	123	58		
2PF25L10P02*	25	200	250	2000	3000	500	128	60		
2PF28L10P02*	28	160	200	2000	3000	500	133	63		
2PF30L10P02*	30	160	200	2000	3000	500	136	64		

2PF

Dimension -



2PF**L**S03-Y With Relief Valves - 2PF**L**S03-Y



Adjusted Pressure of Relief Valves -

50 Bar to 250 Bar

2PF**L**P02*



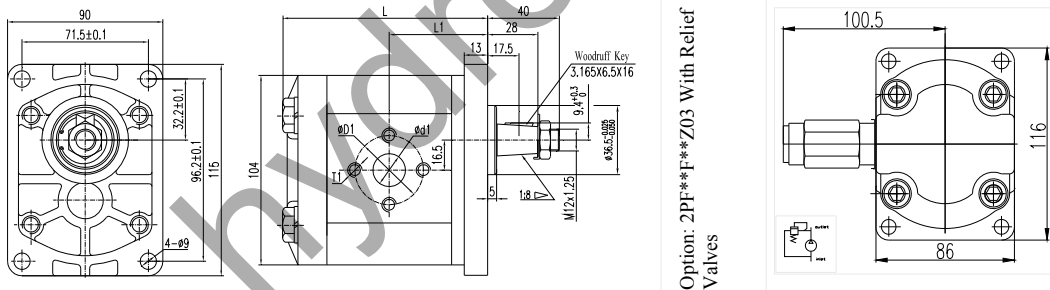
2PF**F**Z03*/2ADPF**DF02Z03

Specifications -

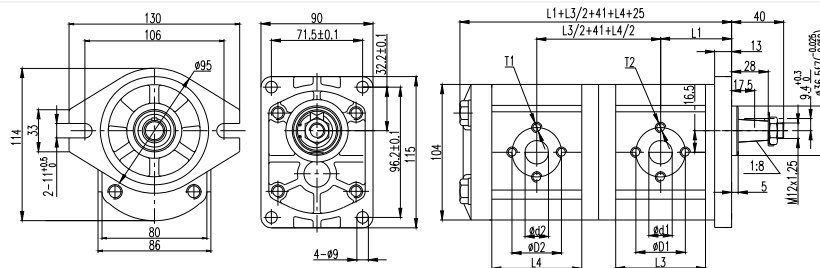
Model	Displacement (ml/r)	Pressure (bar)		Speed (r/min)			L (mm)	L1 (mm)	Inlet (mm)			Outlet (mm)		
		Rated	Peak	Rated	Max	Min			øD1	ød1	T1	øD2	ød2	T2
2PF4F02Z03*	4	200(250)	250(300)	2000	3500	500	95.5	43.3	30	13	M6	30	13	M6
2PF6F02Z03*	6	200(250)	250(300)	2000	3500	500	99	45						
2PF8F02Z03*	8	200(250)	250(300)	2000	3500	500	102	46.5						
2PF10F06Z03*	10	200(250)	250(300)	2000	3500	500	105	48						
2PF12F06Z03*	12	200(250)	250(300)	2000	3500	500	108	49.5						
2PF14F06Z03*	14	200(250)	250(300)	2000	3500	500	111	51						
2PF16F06Z03*	16	200(250)	250(280)	2000	3500	500	114	52.5	40	20	M8	30	13	M6
2PF18F06Z03*	18	200(250)	250(280)	2000	3500	500	117.5	54.3						
2PF20F06Z03*	20	200(250)	250(280)	2000	3500	500	121	56						
2PF23F06Z03*	23	200	250	2000	3000	500	125.5	58.3	40	20	M8	30	13	M6
2PF25F06Z03*	25	200	250	2000	3000	500	128	59.5						
2PF28F06Z03*	28	160	200	2000	3000	500	133	62						
2PF30F06Z03*	30	160	200	2000	3000	500	136	63.5						

2PF

Dimension -



2ADPF**DF02Z03* Double Pumps - 2ADPF**DF02Z03*



Displacement - ml/r)	4	6	8	10	12	14	16	18	20	23	25	28	30
L3(Front Pump) L4(Rear Pump)	50.5	54	57	60	63	66	69	72.5	76	80.5	83	88	91

2PF**F**Z03*/2ADPF**DF02Z03



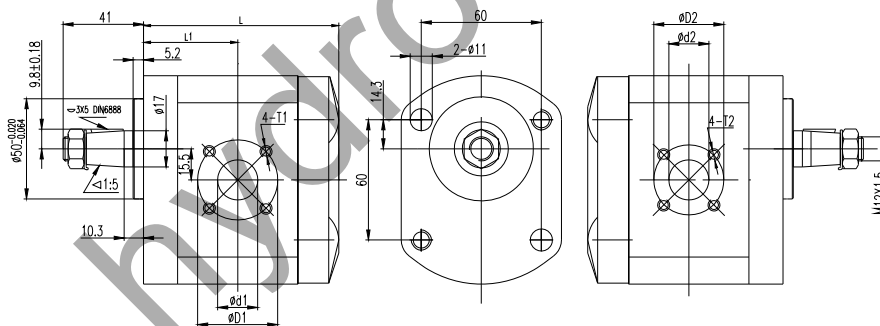
2APF**F**Z11*/2ADPF**F52D01*

Specifications -

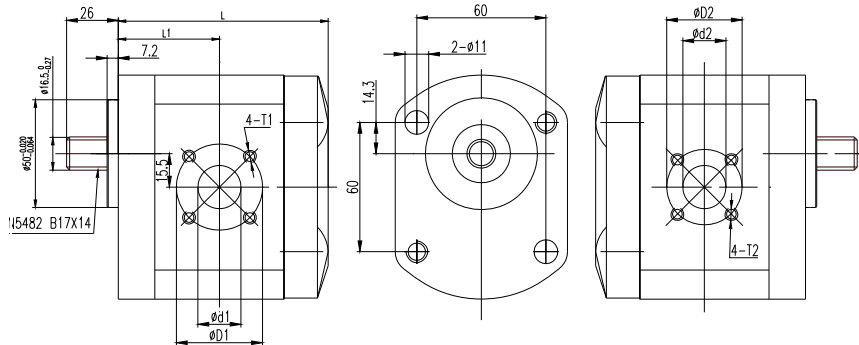
Model	Displacement (ml/r)	Pressure (bar)		Speed (r/min)			L (mm)	L1 (mm)	Inlet (mm)			Outlet (mm)		
		Rated	Peak	Rated	Max	Min			εD1	εd1	T1	εD2	εd2	T2
2APF4F60Z11*	4	200(250)	250(300)	2000	3500	500	95.5	43.3	40	15	M6	35	15	M6
2APF6F60Z11*	6	200(250)	250(300)	2000	3500	500	99	45						
2APF8F52Z11*	8	200(250)	250(300)	2000	3500	500	102	46.5						
2APF10F52Z11*	10	200(250)	250(300)	2000	3500	500	105	48						
2APF12F52Z11*	12	200(250)	250(300)	2000	3500	500	108	49.5						
2APF14F52Z11*	14	200(250)	250(300)	2000	3500	500	111	51						
2APF16F52Z11*	16	200(250)	250(280)	2000	3500	500	114	52.5						
2APF18F52Z11*	18	200(250)	250(280)	2000	3500	500	117.5	54.3						
2APF20F52Z11*	20	200(250)	250(280)	2000	3500	500	121	56						
2APF23F52Z11*	23	200	250	2000	3000	500	125.5	58.3						
2APF25F52Z11*	25	200	250	2000	3000	500	128	59.5						
2APF28F52Z11*	28	160	200	2000	3000	500	133	62						
2APF30F52Z11*	30	160	200	2000	3000	500	136	63.5						

2PF

Dimension -



2ADPF**F52D01* Gear Pumps - 2ADPF**F52D01*



2APF**F**Z11*/2ADPF**F52D01*

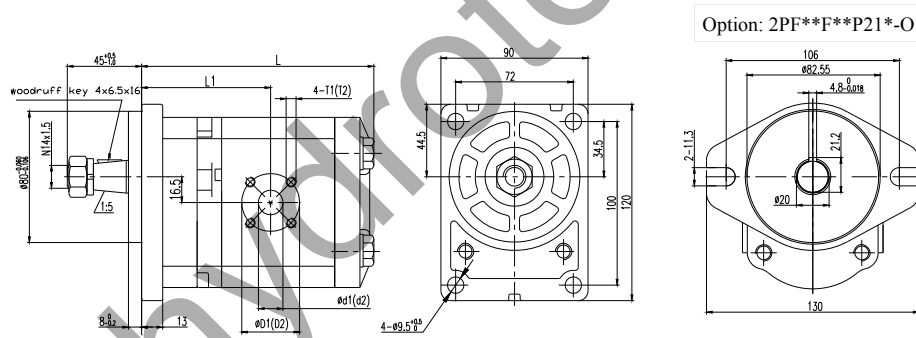


2PF**F**Z18*-O/2ADPF**DF05Z18*

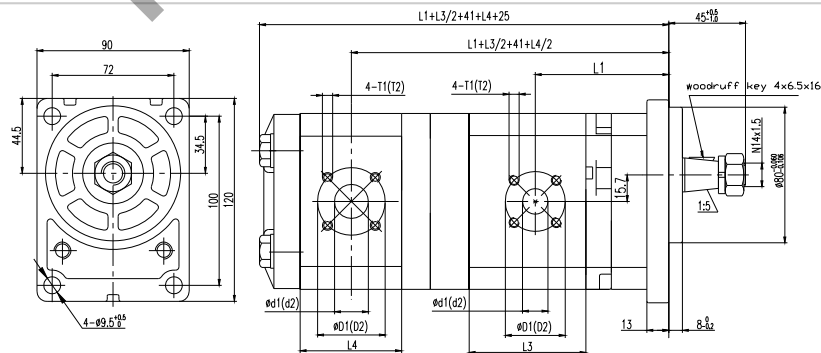
Specifications -

Model	Displacement (ml/r)	Pressure (bar)		Speed (r/min)			L (mm)	L1 (mm)	Inlet (mm)			Outlet (mm)		
		Rated	Peak	Rated	Max	Min			εD1	εd1	T1	εD2	εd2	T2
2PF4F60Z18*-O	4	200(250)	250(300)	2000	3500	500	123	73	40	15	M6	35	15	M6
2PF6F60Z18*-O	6	200(250)	250(300)	2000	3500	500	124	74						
2PF8F52Z18*-O	8	200(250)	250(300)	2000	3500	500	127	75						
2PF10F52Z18*-O	10	200(250)	250(300)	2000	3500	500	130	77	40	20	M6	35	15	M6
2PF12F52Z18*-O	12	200(250)	250(300)	2000	3500	500	133	79						
2PF14F52Z18*-O	14	200(250)	250(300)	2000	3500	500	137	80						
2PF16F52Z18*-O	16	200(250)	250(280)	2000	3500	500	141	82	40	20	M6	35	15	M6
2PF18F52Z18*-O	18	200(250)	250(280)	2000	3500	500	143	83						
2PF20F52Z18*-O	20	200(250)	250(280)	2000	3500	500	147	86						
2PF23F52Z18*-O	23	200	250	2000	3000	500	153	89	40	20	M6	35	15	M6
2PF25F52Z18*-O	25	200	250	2000	3000	500	157	92						

Dimension -



2ADPF**/**DF05Z18* Double Pumps - 2ADPF**/**DF05Z18*



Displacement -	ml/r)	4	6	8	10	12	14	16	18	20	23	25	28	30
L3(Front Pump) L4(Rear Pump)		50.5	54	57	60	63	66	69	72.5	76	80.5	83	88	91

2PF**F**Z18*-O/2ADPF**DF05Z18*



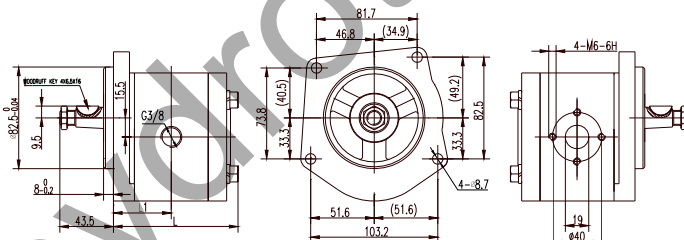
2PF**F**Z12*/2ADPF**DL**Z12*

Specifications -

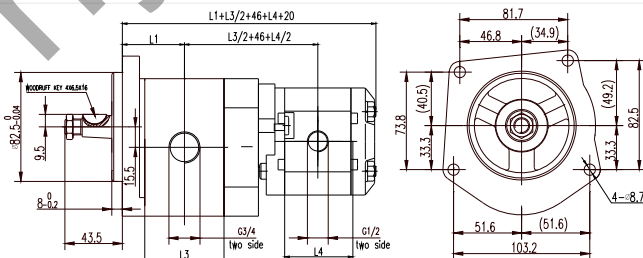
Model	Displacement (ml/r)	Pressure (bar)		Speed (r/min)			L (mm)	L1 (mm)	Inlet (mm)			Outlet (mm)
		Rated	Peak	Rated	Max	Min			øD1	ød1	T1	
2PF4LF5Z12*	4	200(250)	250(300)	2000	3500	500	91.5	42.3	40	19	M6	G3/8
2PF6LF5Z12*	6	200(250)	250(300)	2000	3500	500	95	44				
2PF8LF5Z12*	8	200(250)	250(300)	2000	3500	500	98	45.5				
2PF10LF5Z12*	10	200(250)	250(300)	2000	3500	500	101	47				
2PF12LF5Z12*	12	200(250)	250(300)	2000	3500	500	104.5	48.8				
2PF14LF5Z12*	14	200(250)	250(300)	2000	3500	500	107.5	50				
2PF16LF5Z12*	16	200(250)	250(280)	2000	3500	500	111	52				
2PF18LF5Z12*	18	200(250)	250(280)	2000	3500	500	114	54				
2PF20LF5Z12*	20	200(250)	250(280)	2000	3500	500	118	55				
2PF23LF5Z12*	23	200	250	2000	3500	500	122	58				
2PF25LF5Z12*	25	200	250	2000	3500	500	125	59				
2PF28LF5Z12*	28	160	200	2000	3500	500	130	61				
2PF30LF5Z12*	30	160	200	2000	3500	500	133	63				

2PF

Dimension -



2ADPF**/**DL**Z12* Double Pumps - 2ADPF**/**DL**Z12*



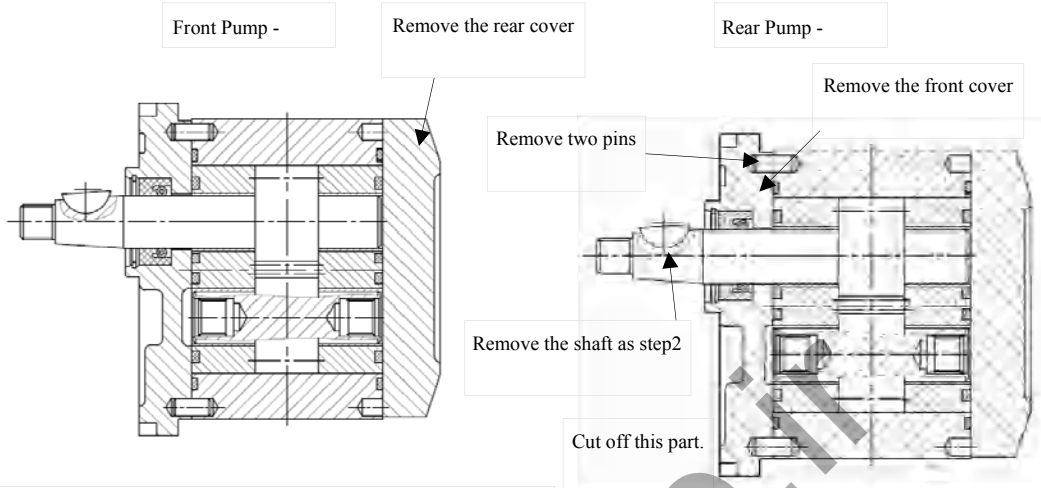
Front Displacement ml/r)	4	6	8	10	12	14	16	18	20	23	25	28	30
L3(Front Pump)	50.5	54	57	60	63	66	69	72.5	76	80.5	83	88	91
Rear Displacement ml/r)	1.3	2.0	2.7	3.4	4.1	5.1	6.1	/	/	/	/	/	/
L4(Rear Pump)	44	46	48	50	52	55	58	/	/	/	/	/	/

2PF**F**Z12*/2ADPF**DL**Z12*



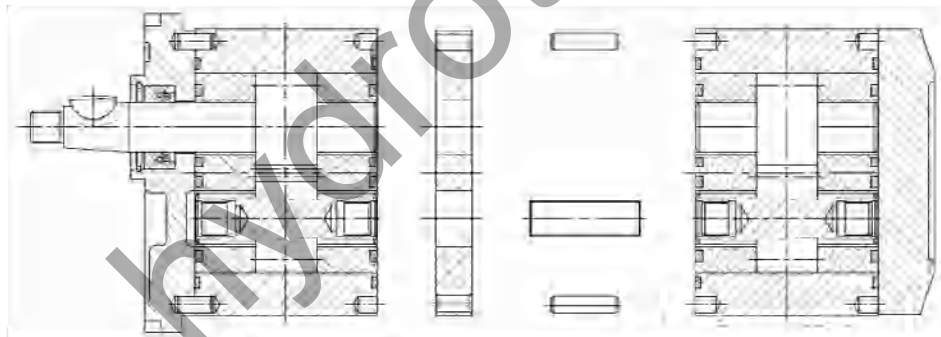
2PF+2PF STACKABLE PUMP ASSEMBLING MANUAL

Step1: Remove rear cover from the front pump. Also remove front cover and pins from the rear pump.

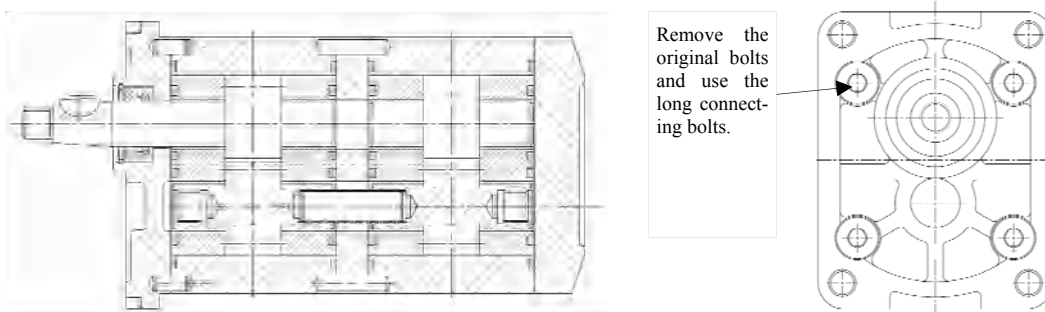


Step2: Cut the shaft of rear pump.

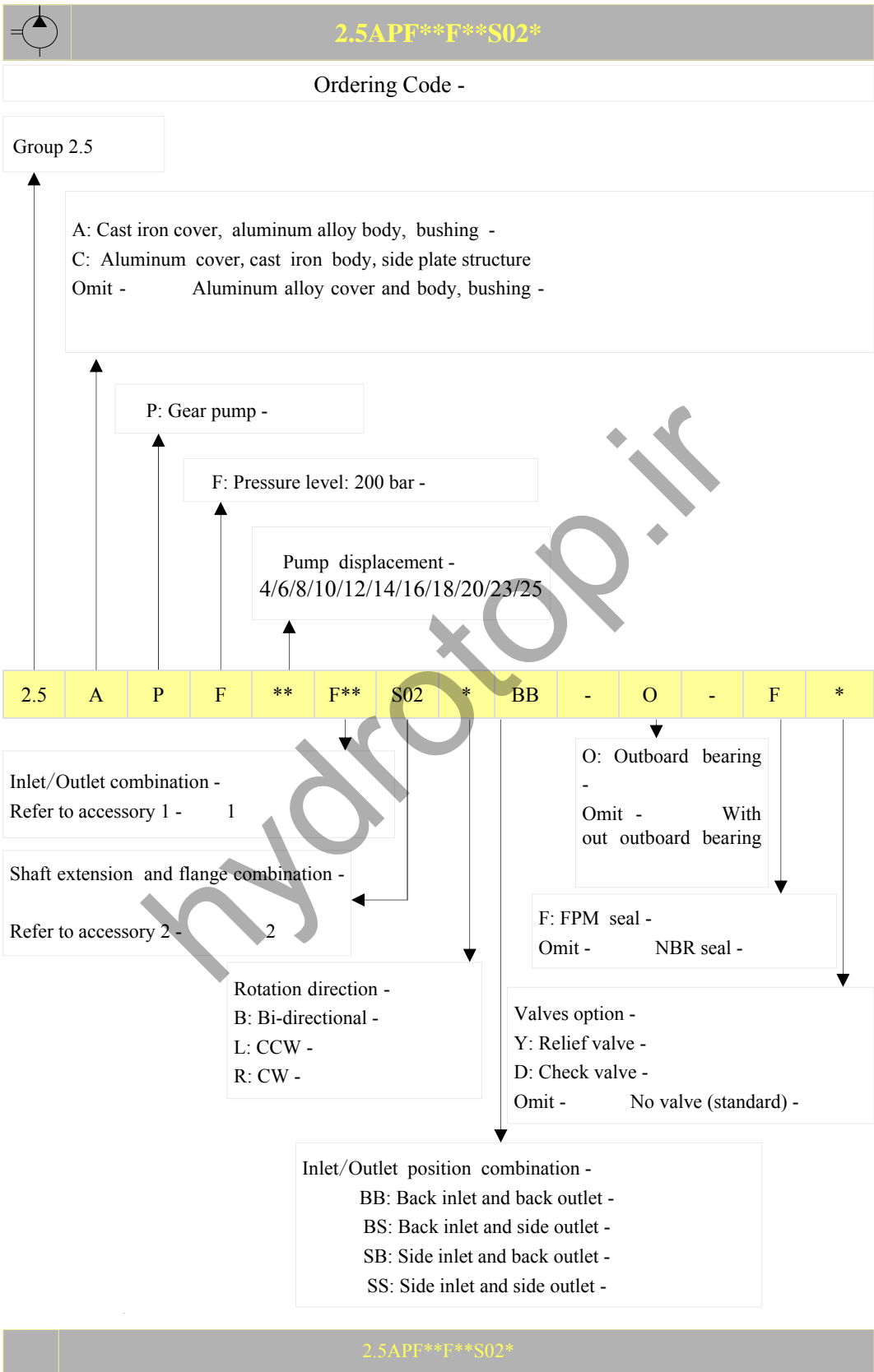
Step3: Assemble the pumps with coupling kit (connecting shaft, bearing carrier and connecting bolts).



Step: Screw 4 pcs of long connecting bolts.



2PF+2PF STACKABLE PUMP ASSEMBLING MANUAL





2.5APF**F77S02*

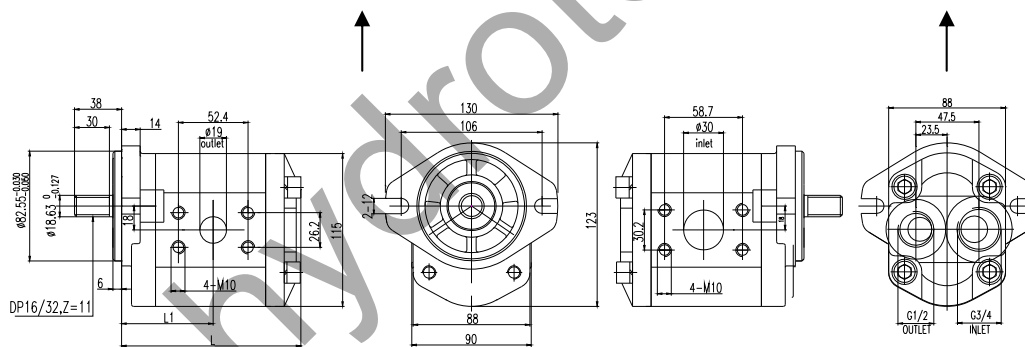
Specifications -

Model	Displacement (ml/r)	Pressure (bar)		Speed (r/min)			L (mm)	L1 (mm)	Inlet (mm)	Outlet (mm)
		Rated	Peak	Rated	Max	Min				
2.5APF20F77S02*	20	200	250	2500	3000	500	124.5	61.5	Φ25	Φ19
2.5APF25F77S02*	25	200	250	2500	3000	500	130.5	64.5		
2.5APF27F77S02*	27	200	250	2500	3000	500	133	65.8		
2.5APF30F77S02*	30	200	250	2500	3000	500	136.5	67.5		
2.5APF32F77S02*	32	200	230	2500	3000	500	139	68.8		
2.5APF36F77S02*	36	200	230	2500	3000	500	143.5	71		
2.5APF40F77S02*	40	160	200	2500	3000	500	148.5	73.5		

Dimension -

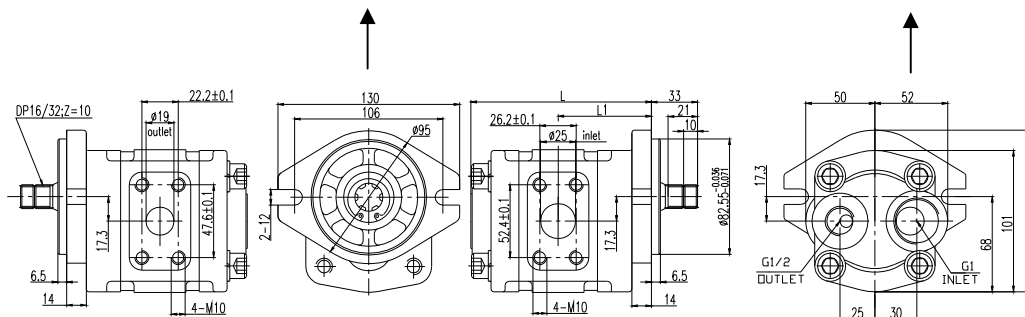
2TPF**/**/**TF02Z11*

Option -
2.5APF**LJ02S02*BB



Option: 2.5CPF**F30S24*

Option: 2.5CPF**LJ02S24*BB



2.5APF**F77S02*

2.5APF

 **3APF**F**Z05***

Ordering Code -

Group 3

A: Cast iron covers -
 B: Side plate structure -
 Omit - Aluminum covers -
 E: Cast iron covers +Side plate structure -

P: Gear pump -
 DP: Double pump -

Stackable pumps can be used as single pumps. They can also be combined into tandem pumps. Please refer to page 31 for more details.

F: Pressure level: 200 bar -

Pump displacement -
 4/6/8/10/12/14/16/18/20/23/25

F: FPM seal -
 Omit - NBR seal -

3 A P F ** F** Z05 * BB - O - F * K

Inlet/Outlet combination -
 Refer to accessory 1 -

Shaft extension and flange combination -
 Refer to accessory 2 -

O: Outboard bearing
 Omit - With out outboard bearing

Rotation direction -
 B: Bi-directional -
 L: CCW -
 R: CW -

Valves option -
 Y: Relief valve -
 D: Check valve -
 Omit - No valve (standard) -

Inlet/Outlet position combination -
 BB: Back inlet and back outlet -
 BS: Back inlet and side outlet -
 SB: Side inlet and back outlet -
 SS: Side inlet and side outlet -

3APFF**Z05***

3PF

3EPFF**S69***

Ordering Code -

Group 3 - 3

E: Cast iron covers +Side plate structure -

P: Gear pump -
DP: Double pump -

Stackable pumps can be used as single pumps. They can also be combined into tandem pumps. Please refer to page 31 for more details.

F: Pressure level: 200 bar -
Pump displacement -
4/6/8/10/12/14/16/18/20/23/25

F: FPM seal -
Omit - NBR seal -

3 E P F ** F** S69 * BB - O - F * K

Inlet/Outlet combination -
Refer to accessory 1 -

Shaft extension and flange combination -
Refer to accessory 2 -

Rotation direction -
B: Bi-directional -
L: CCW -
R: CW -

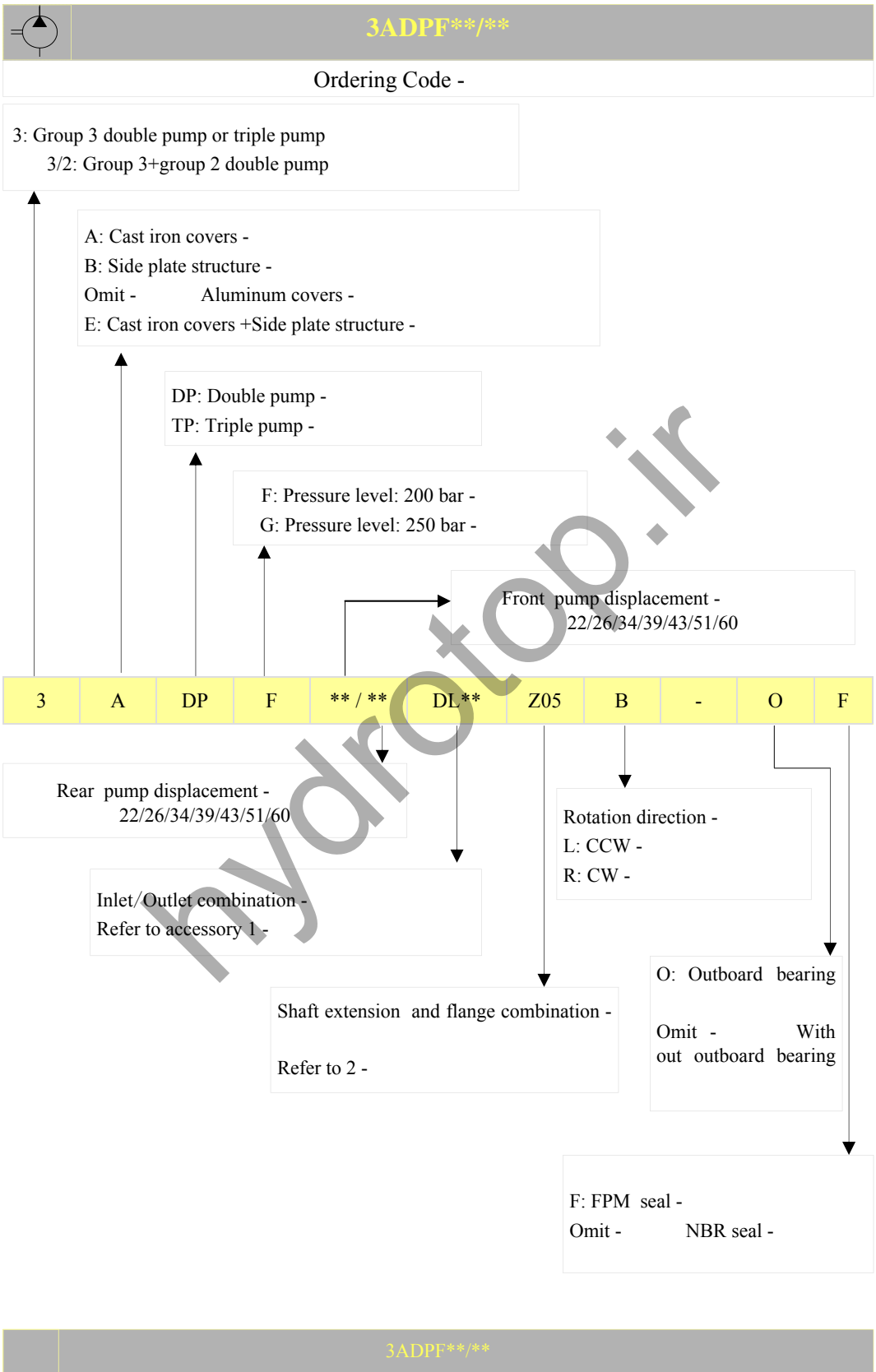
O: Outboard bearing
Omit - With out outboard bearing

Valves option -
Y: Relief valve -
D: Check valve -
Omit - No valve (standard) -

Inlet/Outlet position combination -
BB: Back inlet and back outlet -
BS: Back inlet and side outlet -
SB: Side inlet and back outlet -
SS: Side inlet and side outlet -

3EPFF**S69***

3PF



3PF

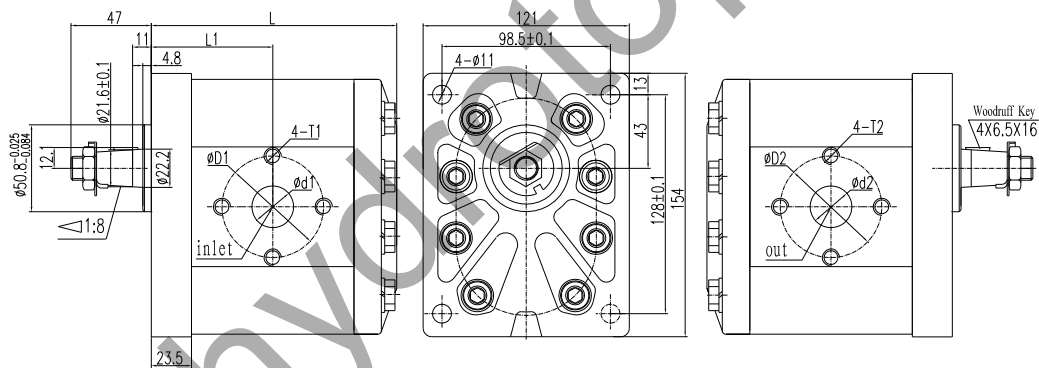


3APF**F**Z05*

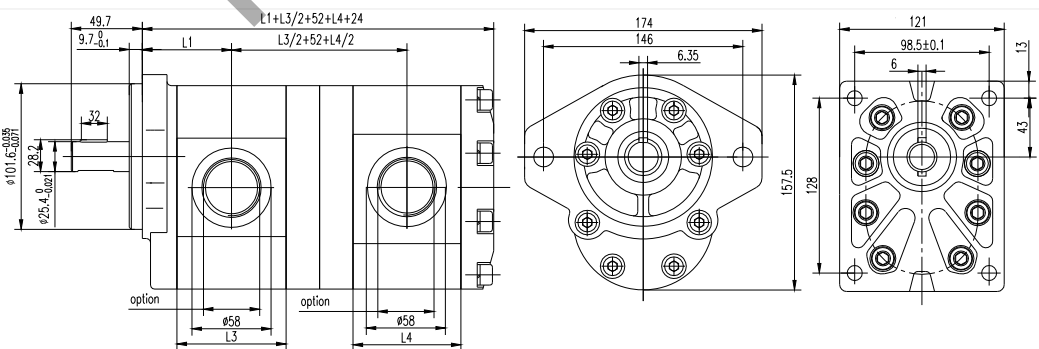
Specifications -

Model	Displacement (ml/r)	Pressure (bar)		Speed (r/min)			L (mm)	L1 (mm)	ϕD1 (mm)	ϕd1 (mm)	T1 (mm)	ϕD2 (mm)	ϕd2 (mm)	T2 (mm)	
		Rated	Peak	Rated	Max	Min									
3APF22F10	22	200(250)	250(300)	2000	3000	400	128.5	65.5	56	27	M10	56	19	M10	
3APF26F10	26	200(250)	250(300)	2000	3000	400	131.5	67							
3APF34F10	34	200(250)	250(300)	2000	3000	400	137	69.8							
3APF39F10	39	200(250)	250(300)	2000	3000	400	141	71.8							
3APF43F09	43	200(250)	250(300)	2000	2800	400	143.5	73	51	27	M10	51	27	M10	
3APF51F11	51	200(250)	250(300)	2000	2400	400	149.5	76	56	27		56	27		
3APF60F12	60	180(200)	230(250)	1500	2800	400	156	79.3	62	33	M10	51	27	M10	
3APF70F12	70	180(200)	200(230)	1500	2500	400	163	82.8							
3APF78F12	78	160(200)	200(230)	1500	2300	400									
3APF89F12	89	140(180)	180(200)	1500	2000	400									

Dimension -



3APF**/**DL**P88* DOUBLE PUMPS - 3APF**/**DL**Z05(S05)*



Displacement - ml/r)	22	26	34	39	43	51	60	70
L3(Front Pump) L4(Rear Pump)	80	83	88.5	92.5	95	101	107.5	114.5

3APF**F**Z05*



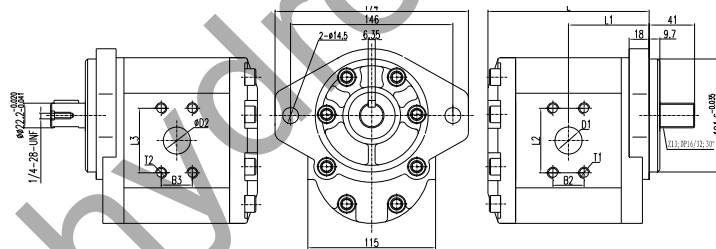
3APF**

Specifications -

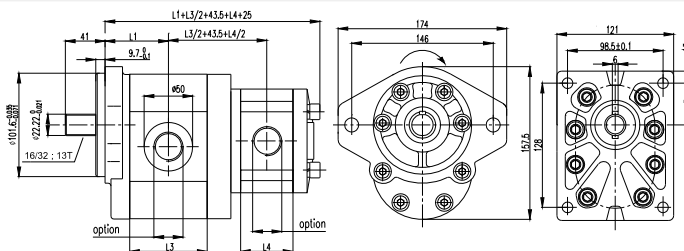
Model	Displacement (ml/r)	Pressure (bar)		Speed (r/min)			L (mm)	L1 (mm)	L2 (mm)	B2 (mm)	ϕD1 (mm)	T1 (mm)	L3 (mm)	B3 (mm)	ϕD2 (mm)	T2 (mm)
		Rated	Peak	Rated	Max	Min										
3APF22F32	22	200 (250)	250 (300)	2000	3000	400	130.3	65.3	52.4	26.2	27	3/8 16UN C-2B	26.2	47.6	19	3/8 16UN C-2B
3APF26F32	26	200 (250)	250 (300)	2000	3000	400	133.3	66.8								
3APF34F32	34	200 (250)	250 (300)	2000	3000	400	138.8	69.6								
3APF39F32	39	200 (250)	250 (300)	2000	3000	400	142.8	71.6								
3APF43F32	43	200 (250)	250 (300)	2000	2800	400	145.3	72.8								
3APF51F32	51	200 (250)	250 (300)	2000	2400	400	151.3	75.8								
3APF60F36	60	180 (200)	230 (250)	1500	2800	400	157.8	79.1								
3APF70F36	70	180 (200)	200 (230)	1500	2500	400	164.8	82.5								
3APF78F36	78	160 (200)	200 (230)	1500	2300	400	171	85								
3APF89F36	89	140 (180)	180 (200)	1500	2000	400	176	88								

3PF

Dimension -



3/2APF**/**DL**Z05(S05)* DOUBLE PUMPS - 3/2APF**/**DL**Z05(S05)*



Displacement - ml/r)	22	26	34	39	43	51	60	70	/	/	/	/	/
L3(Front Pump)	80	83	88.5	92.5	95	101	107.5	114.5	/	/	/	/	/
Displacement - ml/r)	4	6	8	10	12	14	16	18	20	23	25	28	30
L4(Rear Pump)	50.5	54	57	60	63	66	69	72.5	76	80.5	83	88	91

3APF**

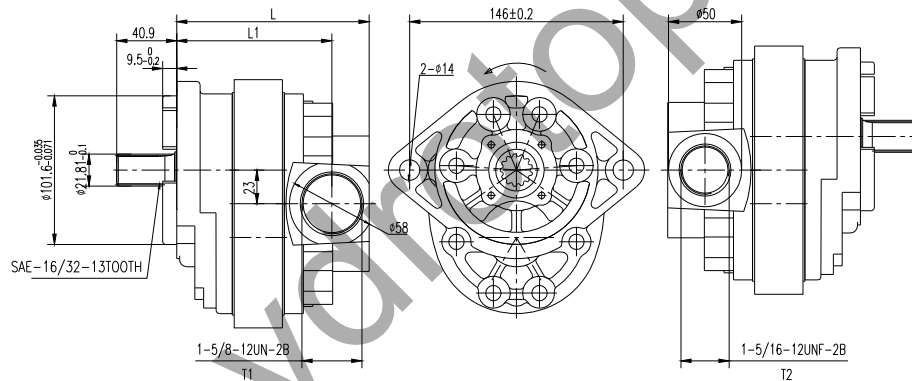


3BPF**LJ53S05*

Specifications -

Model	Displacement (ml/r)	Pressure (bar)		Speed (r/min)			L (mm)	L1 (mm)	T1 (mm)	T2 (mm)
		Rated	Peak	Rated	Max	Min				
3BPF22LJ53S05*	22	200	250	2000	3000	400	111.6	85.6	1-5/8-12UNC-2B	1-5/16-12UNC-2B
3BPF26LJ53S05*	26	200	250	2000	3000	400	114.5	88.5		
3BPF34LJ53S05*	34	200	250	2000	3000	400	120.2	94.2		
3BPF39LJ53S05*	39	200	250	2000	3000	400	123.8	97.8		
3BPF43LJ53S05*	43	200	250	2000	2800	400	126.5	100.5		
3BPF50LJ53S05*	50	200	250	2000	2400	400	131.5	105.5		
3BPF60LJ53S05*	60	180	230	1500	2800	400	138.5	112.5		
3BPF63LJ53S05*	63	180	200	1500	2500	400	140.8	114.8		

Dimension -



3PF

Ordering Code

3	B	P	F	**	LJ53	S05	/L
Group Number	Structure Improve Number	Function Code	Pressure Level Code	Displacement	Inlet/Outlet Combination	Shaft Extension Combination	Rotation
3 Group	Second Improve	Gear Pump	F:18-25 MPa	Refer to Above Table	LJ53, etc Refer to Accessory1	P16, S05,etc Refer to accessory 2	L-left Omit-Right

3BPF**LJ53S05

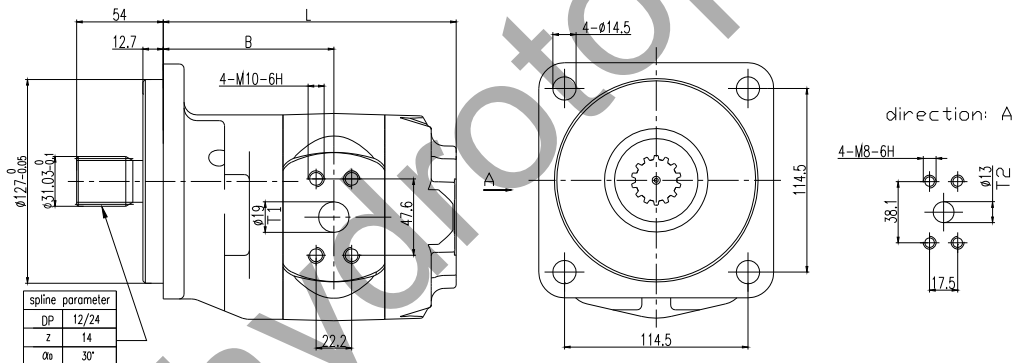


3EPF**F**S69*

Specifications -

Model	Displacement (ml/r)	Pressure (bar)		Speed (r/min)		L (mm)	B (mm)	T1 (mm)	T2 (mm)
		Rated	Peak	Max	Min				
3EPF16.4	16.4	218	250	2400	600	151	90.6	∅19	∅13
3EPF24.6	24.6	218	250	2400	600	157.4	93.8		
3EPF32.8	32.8	218	250	2400	600	163.7	97		
3EPF41	41	218	250	2400	600	170	100		
3EPF49.2	49.2	218	250	2400	600	176.4	103.3		
3EPF57.3	57.3	180	210	2400	600	182.8	106.5		
3EPF65.5	65.5	180	210	2400	600	189	109.7		

Dimension -



3PF

Ordering Code

Group Number	Structure Improve Number	Function Code	Pressure Level Code	Displacement	Inlet/Outlet Combination	Shaft Extension Combination	Rotation
3	E	P	F	**	F22	S69	/L
3 Group	Second Improve	Gear Pump	18-25 MPa	Refer to Above Table	LJ53, etc Refer to Accessory1	P16, S05, etc Refer to accessory 2	L-left Omit-Right

3BPF**F**S69

