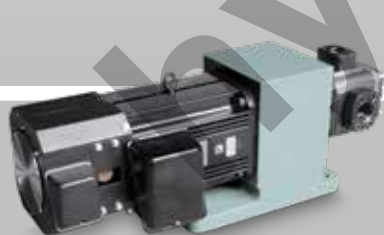


EIPC3
EIPC5
EIPC6

Internal gear pumps



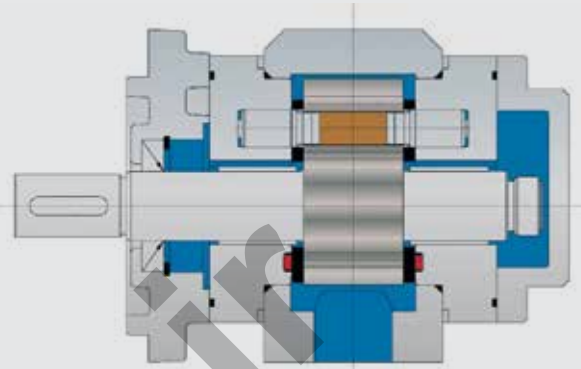
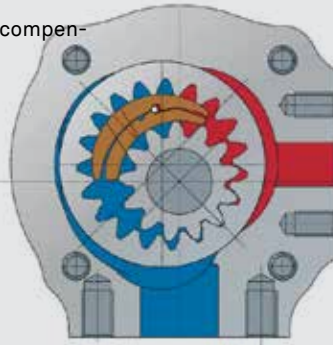
Internal gear pump

Type EIPC3 for industrial applications with constant displacement volume

EIPC3

Characteristics

- Internal gear pump with axial and radial gap compensation
- Radial compensation with segments
- Suction and pressure port radial
- Field of application: Industrial hydraulic
- Low noise
- Long time life
- Low pulsation (pressure pulsation ~2 %)
- Multi flow combinations



Technical Data

Rated Size	020	025	032	040	050	063	064
Spec. volume Vth [cm ³ /rev]**	20,0	24,8	31,6	39,5	49,5	62,5	65,3
Continuous operating pressure [bar]**	250					180	250
Peak operating pressure [bar] max. 10 sec 15 % duty cycle**		320		300	280	210	280
Cut-in pressure peak [bar]**		350		325	300	210	300
Nominal speed [min ⁻¹]	200 – 3.400	200 – 3.200	200 – 3.000	100 – 2.500	100 – 1.800		100 – 1.800
Max. speed [min ⁻¹]	3.900	3.800	3.700	2.500	1.800		1.800
Nominal speed [min ⁻¹ ****	For rated size 040-064 available			100 – 3.200	100 – 3.000	200 – 2.200	100 – 2.200
Max. speed [min ⁻¹ ****	For rated size 040-064 available			3.600	3.600	2.400	2.400
Operating viscosity [mm ² /s]	10 – 300						
Starting viscosity [mm ² /s]	2.000						
Operating temperature [°C]	-20 to +100						
Operating medium	HL – HLP DIN 51 524 part 1/2						
Max. medium temperature [°C]	120						
Min. medium temperature [°C]	-40						
Max. ambient temperature [°C]	80						
Min. ambient temperature [°C]	-40						
Max. admission pressure (intake side) [bar]	2 bar absolute						
Min. admission pressure (intake side) [bar]	0.8 bar absolute (Start 0.6)						
Weight appr. [kg]	8,3	8,6	9,2	9,8	10,5	10,5	11,5
Degree of filtration	Class 20/18/15 due to ISO 4406						
Life expectancy	not less than 1x 10 ⁷ load cycles against peak operating pressure						
Efficiency η vol:	93	93	94	95	95	94	95
Efficiency η hm:	91	92	92	93	93	92	93
n = 1.450 min ⁻¹ p = 250 bar (180 bar at size 063) T = 50 °C	Medium: HLP 46 Bruggen value min. 30N/mm ² recommended 50N/mm ² for servo applications						
Pump noise* (measured in sound chamber) dB[A]	62	63	64	65	66	64	68

* Measured in anechoic room of Eckerte Hydraulic Division; Axial microphone distance 1.0 m

** For acceptable pressure at 400–1.800 rpm. Further rpm on request.

*** Due to manufacturing tolerances the displacement volume could vary.

**** 2" suction port

The pumps have no corrosion protection. The max. permissible values must not be applied cumulatively. Please contact us.

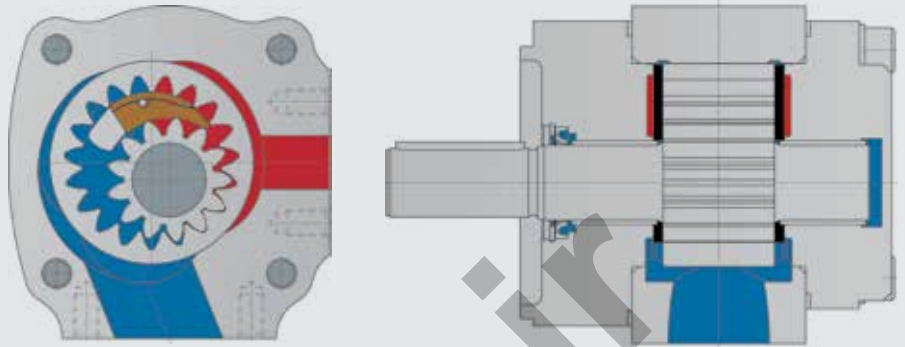
Internal gear pump

Type EIPC5 for industrial applications with constant displacement volume

EIPC5

Characteristics

- Internal gear pump with axial and radial gap compensation
- Radial compensation with segments
- Suction and pressure port radial
- Field of application: Industrial hydraulic
- Low noise
- Long time life
- Low pulsation (pressure pulsation ~2 %)
- Multi flow combinations on request



Technical Data

Rated Size	040	050	064	080	100
Spec. volume Vth [cm ³ /rev]**	40,2	50,3	65,3	80,4	100,5
Continuous operating pressure [bar]**	250	250		250	
Peak operating pressure [bar] max. 10 sec 15 % duty cycle**	300	300		270	
Cut-in pressure peak [bar]**	330	330		280	
Nominal speed [min ⁻¹]	100 – 3.000	100 – 3.000	100 – 2.800	100 – 2.800	100 – 2.500
Max. speed [min ⁻¹]	3.600	3.600		3.000	
Operating viscosity [mm ² /s]			10 – 300		
Starting viscosity [mm ² /s]			2.000		
Operating temperature [°C]			-20 to +100		
Operating medium			HL – HLP DIN 51 524 part 1/2		
Max. medium temperature [°C]			120		
Min. medium temperature [°C]			-40		
Max. ambient temperature [°C]			80		
Min. ambient temperature [°C]			-40		
Max. admission pressure (intake side) [bar]			2 bar absolute		
Min. admission pressure (intake side) [bar]			0,8 bar absolute (Start 0,6)		
Weight appr. [kg]	9,85	10,5	11,5	13,0	13,5
Degree of filtration			Class 20/18/15 due to ISO 4406		
Life expectancy			not less than 1x 10 ⁷ load cycles against peak operating pressure		
Efficiency η vol:	–	–	94	95	95
Efficiency η hm:	–	–	92	93	93
Pump noise* (measured in sound chamber) dB[A]	–	–	69	70	71

n = 1.450 min⁻¹ Δ p = 250 bar T = 50 °C Medium: HLP 46

* Measured in anechoic room of Eckerte Hydraulic Division; Axial microphone distance 1.0 m

** For acceptable pressure at 400–1.800 rpm. Further rpm on request.

*** Due to manufacturing tolerances the displacement volume could vary.

The pumps have no corrosion protection. The max. permissible values must not be applied cumulatively. Please contact us.

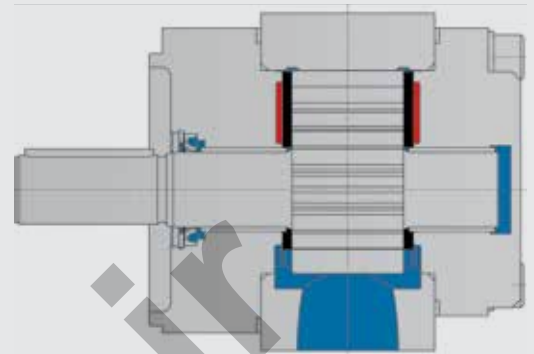
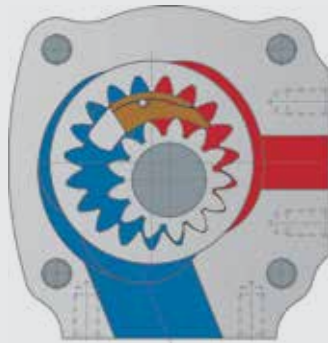
Internal gear pump

Type EIPC6 for industrial applications with constant displacement volume

EIPC6

Characteristics

- Internal gear pump with axial and radial gap compensation
- Radial compensation with segments
- Suction and pressure port radial
- Field of application: Industrial hydraulic
- Low noise
- Long time life
- Low pulsation (pressure pulsation ~2 %)
- Multi flow combinations on request



Technical Data

Rated Size	125	160	200	250
Spec. volume Vth [cm ³ /rev]**	125,7	160,1	200,9	249,9
Continuous operating pressure [bar]**		250	160	140
Peak operating pressure [bar] max. 10 sec 15 % duty cycle**		280	210	150
Cut-in pressure peak [bar]**		300	220	160
Nominal speed [min ⁻¹]*	400 – 2.500		400 – 2.000	
Max. speed [min ⁻¹]	2.800		2.200	
Operating viscosity [mm ² /s]	10 – 300			
Starting viscosity [mm ² /s]	2.000			
Operating temperature [°C]	-20 to +100			
Operating medium	HL – HLP DIN 51 524 part 1/2			
Max. medium temperature [°C]	80			
Min. medium temperature [°C]	-20			
Max. ambient temperature [°C]	80			
Min. ambient temperature [°C]	-20			
Max. admission pressure (intake side) [bar]	2 bar absolute			
Min. admission pressure (intake side) [bar]	0.8 bar absolute (Start 0.6)			
Weight appr. [kg]	27,5	30	43	54
Degree of filtration	Class 20/18/15 due to ISO 4406			
Life expectancy	not less than 1x 10 ⁷ load cycles against peak operating pressure			
Efficiency η vol:	94	94	93	93
Efficiency η hm:	90		91	
Pump noise* (measured in sound chamber) dB[A]	76	77	77	78

n = 1.450 min⁻¹ Δ p = 250 bar (160 bar at size 200 and 140 bar at size 250) T = 50 °C Medium: HLP 46

* Measured in anechoic room of Eckerte Hydraulic Division; Axial microphone distance 1.0 m

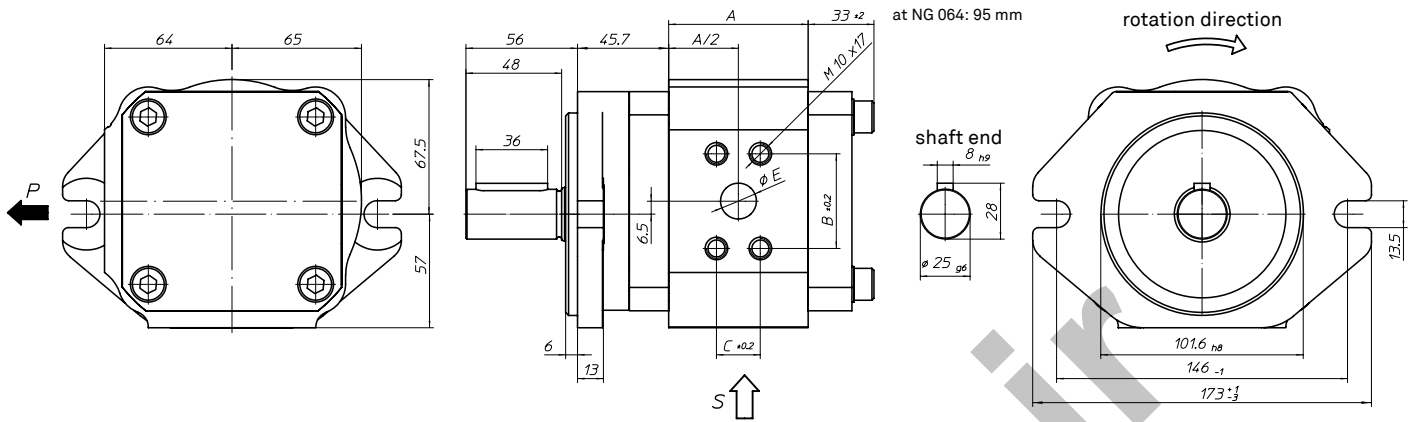
** For acceptable pressure at 400–1.800 rpm. Further rpm on request.

*** Due to manufacturing tolerances the displacement volume could vary.

The pumps have no corrosion protection. The max. permissible values must not be applied cumulatively. Please contact us.

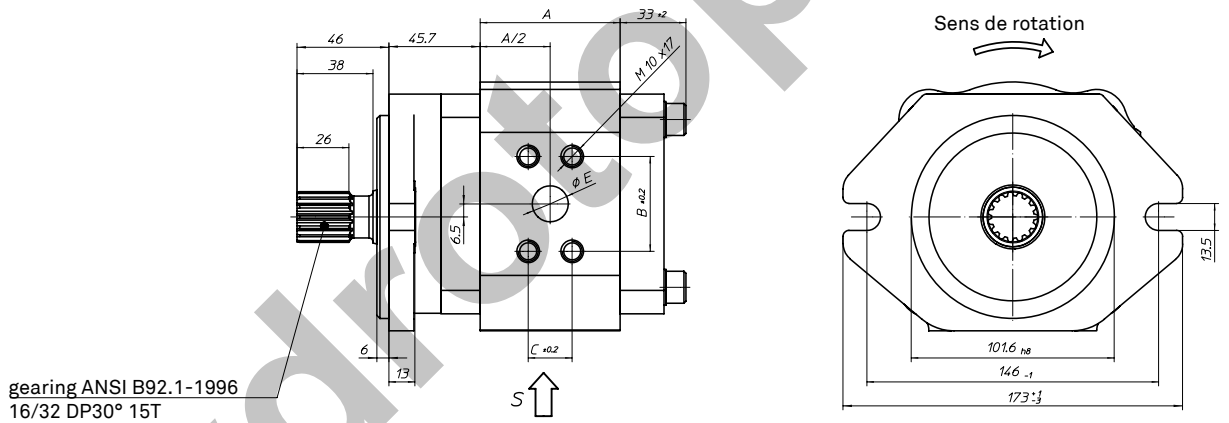
Pump with SAE-2B-bolt flange and straight keyed shaft

Order example: EIPC3-___RA23-1X

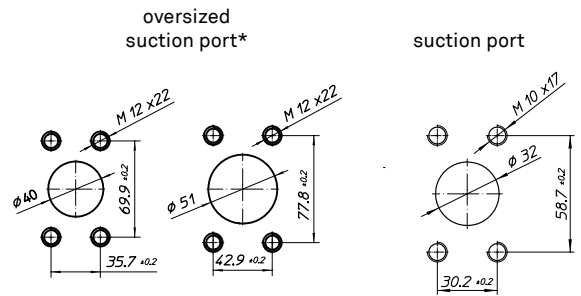


Pump with SAE-2B-bolt flange and splined shaft

Order example: EIPC3-___RB23-1X



gearing ANSI B92.1-1996
16/32 DP30° 15T



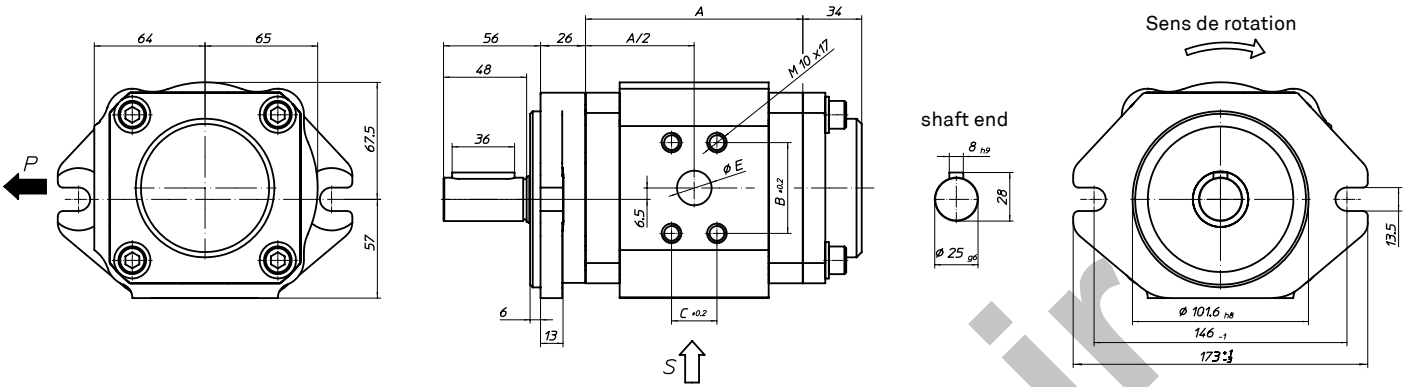
* is suitable for speed controlled drive applications
(available only for size 040, 050, 063, 064)

Dimensions

EIPC3

Pump with SAE-B2-bolt flange and straight keyed shaft with PTO

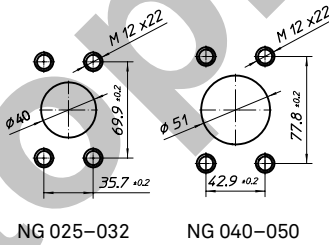
Order example: EIPC3-___RK23-1X



Size	A	B	C	E
020	97,9	47,5	22	18
025	104,4	47,5	22	18
032	114,4	47,5	22	18
040	125,4	52,4	26,2	20
050	139,4	52,4	26,2	20

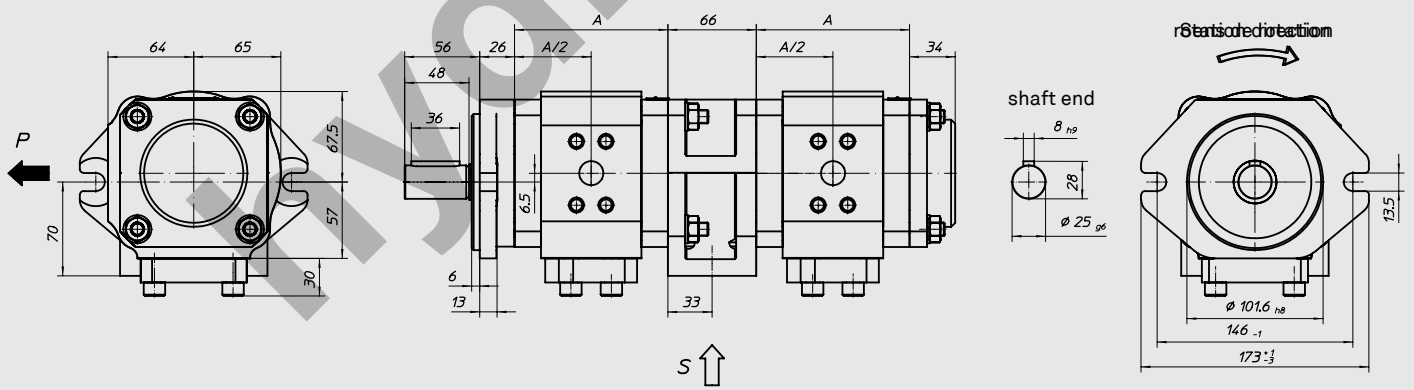
oversized suction port

suction port



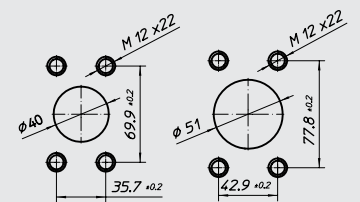
Double pump with SAE-B2-bolt flange and straight keyed shaft

Order example: EIPC3-___RK20-1X+ EIPC3-___RP30-1X



Size	A
020	97,9
025	104,4
032	114,4
040	125,4
050	139,4

common suction port



Pressure connections see single pump.
 For separate suction, see suction connections single pumps.
 Caution: In speed-controlled applications, each pump must prime separately.

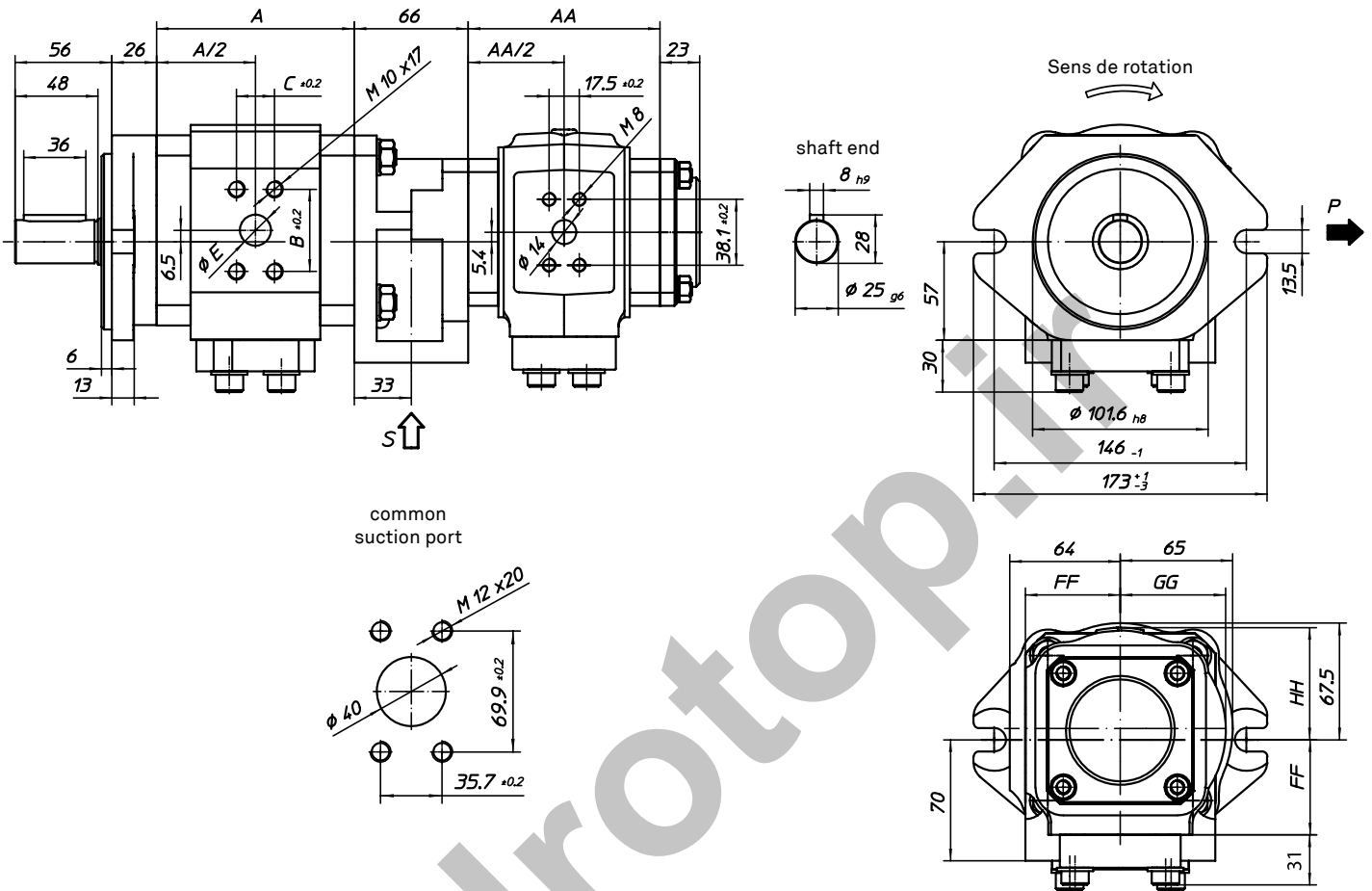
NG 020-032 NG 040-050

Dimensions

EIPC3/H2

Double pump with SAE-B2-bolt flange and straight keyed shaft

Order example: EIPC3-___RK20-1X+
EIPH2-___RP30-1X



EIPH2

Size	AA	FF	GG	HH
004	71	50	55	59
005	71	50	55	59
006	73	50	55	59
008	76	50	55	59
011	82	50	55	59
013	87	50	55	60
016	92	50	55	60
019	99	55	61	65
022	105	55	61	65
025	111	55	61	65

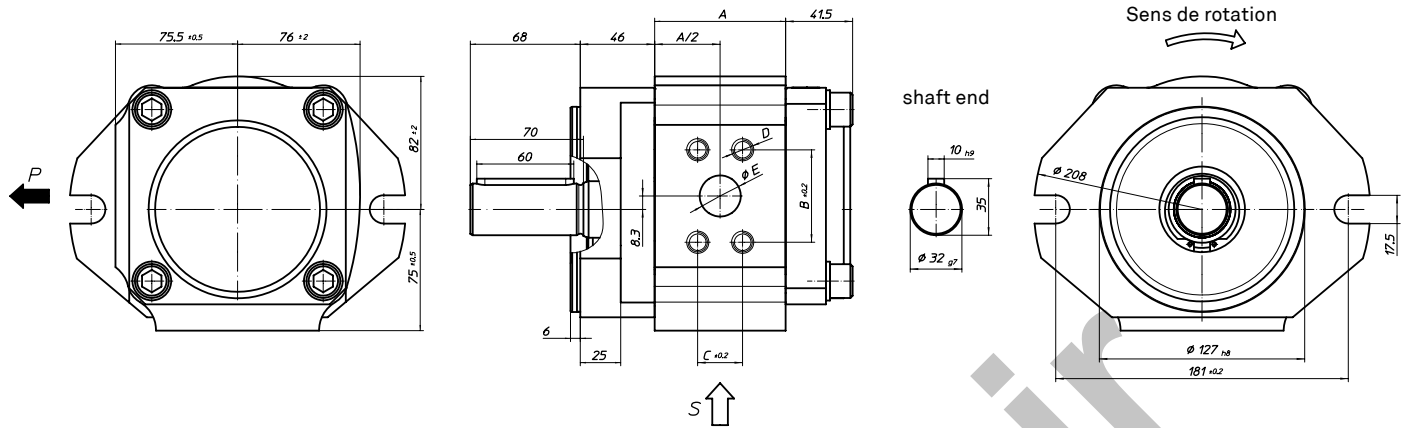
EIPC3

Size	A	B	C	E
020	97,9	47,5	22	18
025	104,4	47,5	22	18
032	114,4	47,5	22	18
040	125,4	52,4	26,2	20
050	139,4	52,4	26,2	20

The single pumps of a multiple pump assembly are internally connected, even if you connect to the pump inlet. It is therefore no operating with different fluids possible.
For separate suction, see suction connections single pumps.
Caution: In speed-controlled applications, each pump must prime separately.

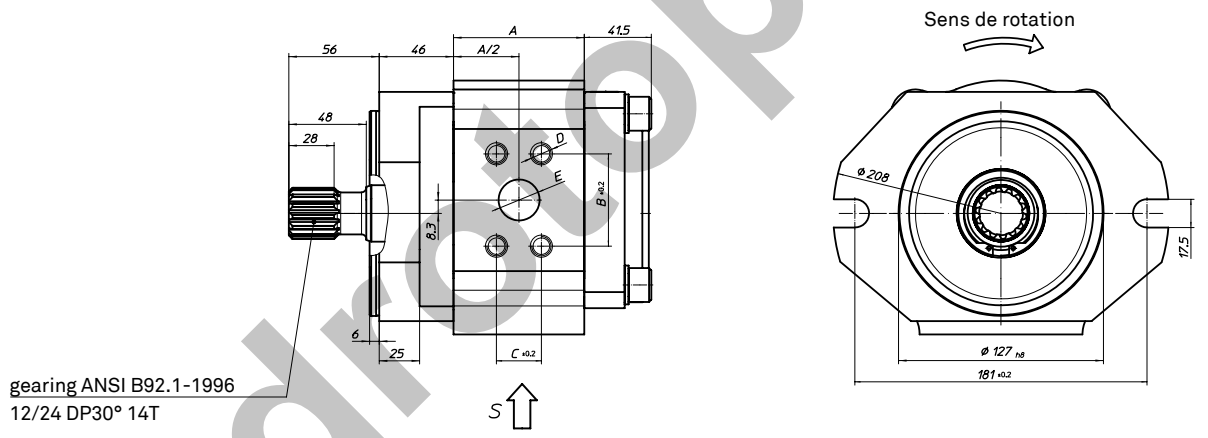
Pump with SAE-C2-bolt flange and straight keyed shaft

Order example: EIPC5-___RA23-1X



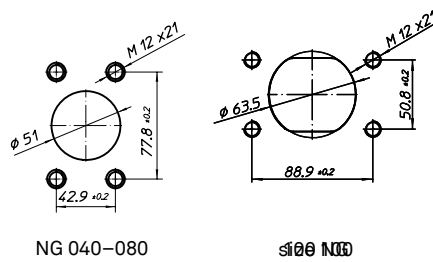
Pump with SAE-C2-bolt flange and splined shaft

Order example: EIPC5-___RB23-1X



gearing ANSI B92.1-1996
12/24 DP30° 14T

suction port S1



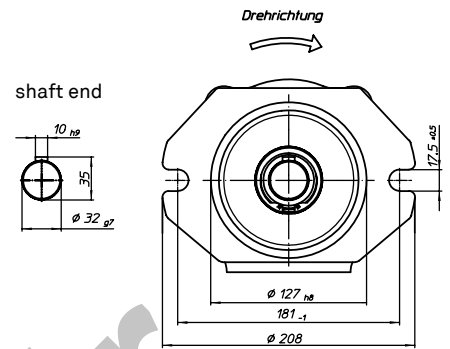
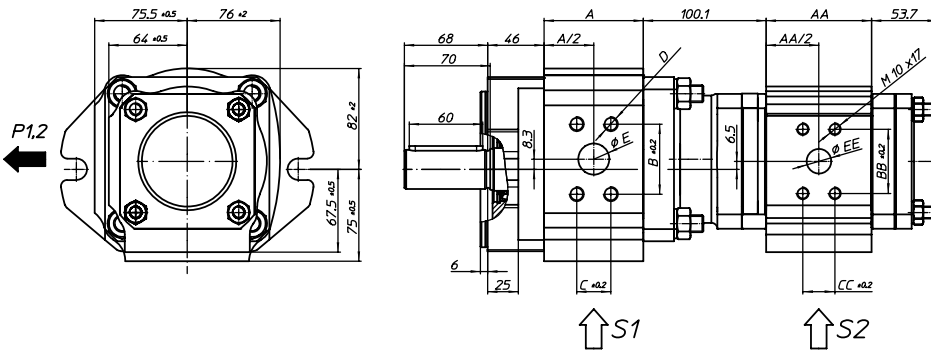
Suction port: SAE J518, standard pressure series (code 61)

Size	A	B*	C*	D	E
040	61	57,2	27,8	M12x24	25,4
050	69	57,2	27,8	M12x24	25,4
064	81	57,2	27,8	M12x24	25,4
080	93	66,7	31,8	M14x24	31,8
100	109	66,7	31,8	M14x24	31,8

* Pressure port: SAE J518, high pressure series (code 62)

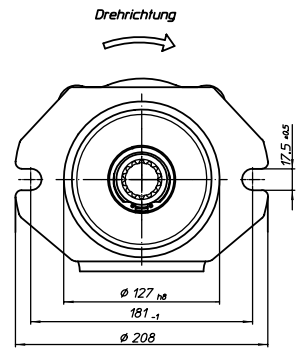
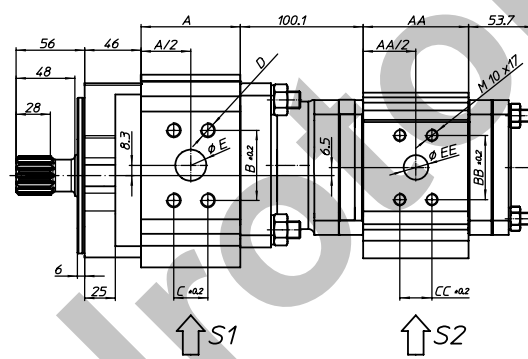
Double pump with SAE-C2-bolt flange and straight keyed shaft

Order example: EIPC5-___SK23-1X+
EIPC3-___RP36-1X



Double pump with SAE-C2-bolt flange and splined shaft

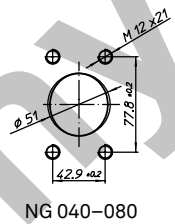
Order example: EIPC5-___SL23-1X+
EIPC3-___RP36-1X



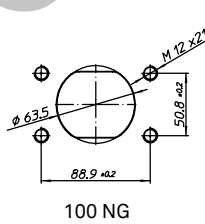
gearing ANSI B92.1-1996
12/24 DP30° 14T

suction port S1
EIPC5

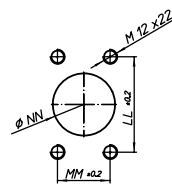
suction port S2
EIPC3



NG 040-080



100 NG



Suction port: SAE J518, standard
pressure series (code 61)

EIPC5

Size	A	B*	C*	D	E
040	61	57,2	27,8	M12x24	25,4
050	69	57,2	27,8	M12x24	25,4
064	81	57,2	27,8	M12x24	25,4
080	93	66,7	31,8	M14x24	31,8
100	109	66,7	31,8	M14x24	31,8

* Pressure port: SAE J518,
high pressure series (code 62)

EIPC3

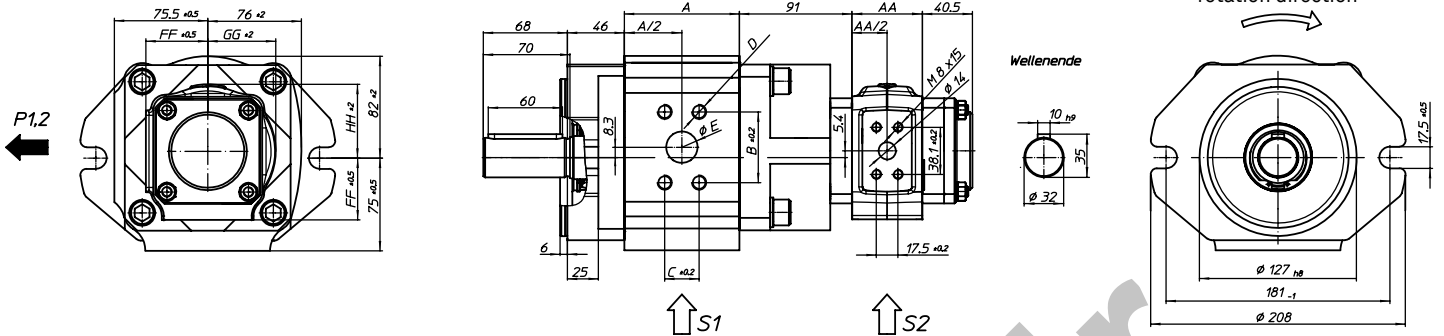
Size	AA	BB	CC	EE	LL	MM	NN
025	65	47,5	22	18	69,9	35,7	40
032	75	47,5	22	18	69,9	35,7	40
040	86	52,4	26,2	20	77,8	42,9	51
050	100	52,4	26,2	20	77,8	42,9	51
063	118	52,4	26,2	25,4	77,8	42,9	51

All versions EIPC3 size 020-050 available in RP33-1x.
(Connection ports see single pump)

The single pumps of a multiple pump assembly are internally connected, even if you connect to the pump inlet. It is therefore no operating with different fluids possible.

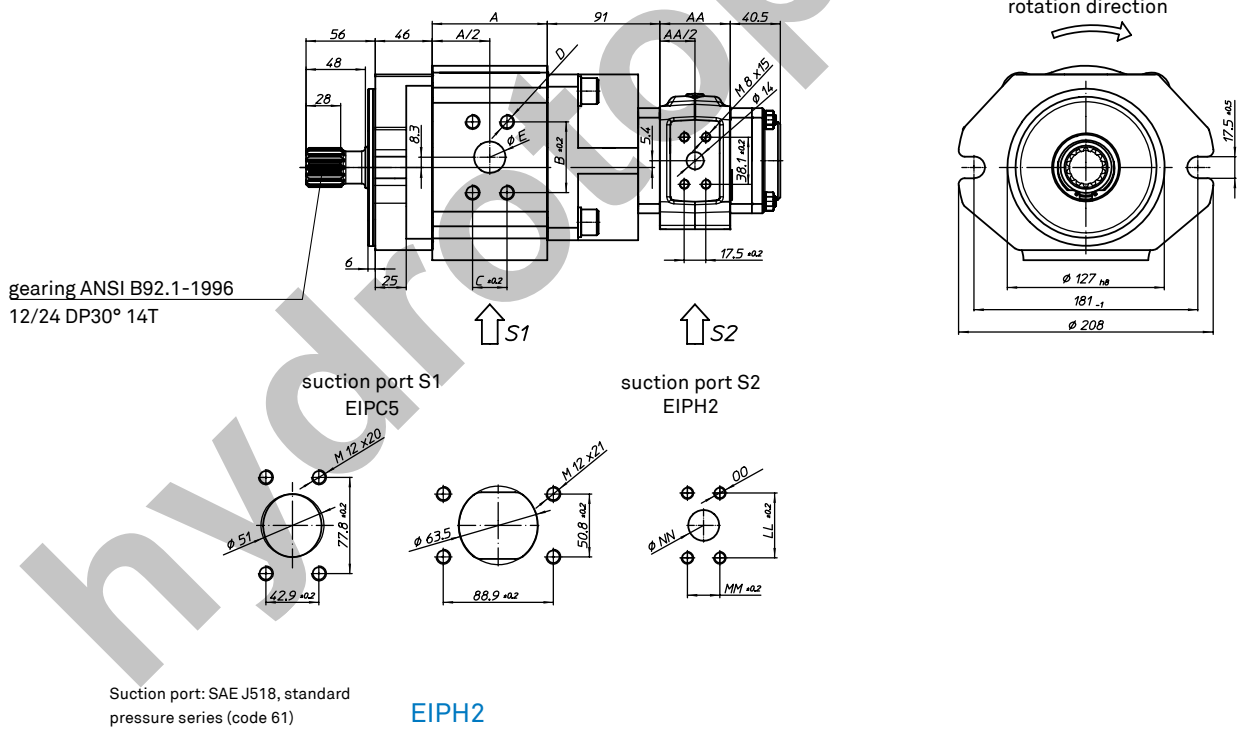
Double pump with SAE-C2-bolt flange and straight keyed shaft

Order example: EIPC5-___TK23-1X+
EIPH2-___RP33-1X



Double pump with SAE-C2-bolt flange and splined shaft

Order example: EIPC5-___TL23-
1X+
EIPH2-___RP33-1X



EIPC5

Size	A	B*	C*	D	E
040	61	57,2	27,8	M12x24	25,4
050	69	57,2	27,8	M12x24	25,4
064	81	57,2	27,8	M12x24	25,4
080	93	66,7	31,8	M14x24	31,8
100	109	66,7	31,8	M14x24	31,8

EIPH2

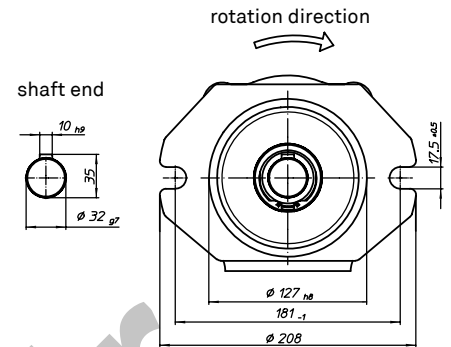
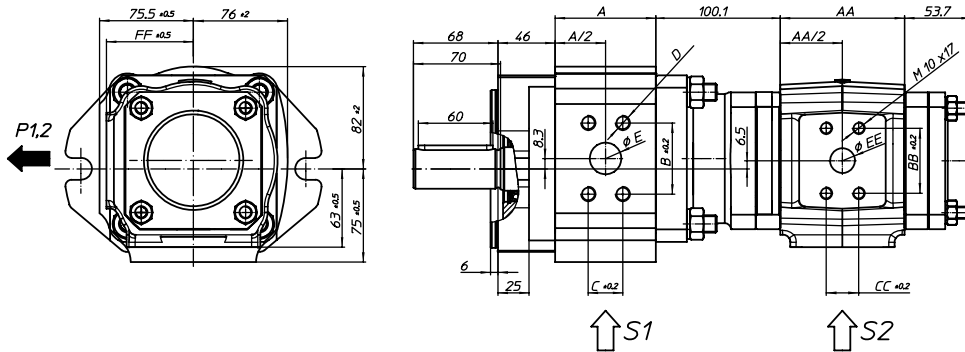
Size	AA	FF	GG	HH	LL	MM	NN	OO
004	36	50	55	59	38,1	17,5	14	M8x15
005	36	50	55	59	38,1	17,5	14	M8x15
006	38	50	55	59	47,5	22	19	M10x16
008	41	50	55	59	47,5	22	19	M10x17
011	47	50	50	59	52,4	26,2	25	M10x17
013	52	50	55	60	52,4	26,2	25	M10x17
016	57	50	55	60	52,4	26,2	25	M10x17
019	64	55	61	65	52,4	26,2	25	M10x17
022	70	55	61	65	52,4	26,2	25	M10x17
025	76	55	61	65	52,4	26,2	25	M10x17

* Pressure port: SAE J518, high pressure series (code 62)

The single pumps of a multiple pump assembly are internally connected, even if you connect to the pump inlet. It is therefore no operating with different fluids possible.

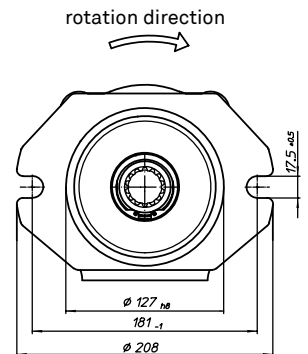
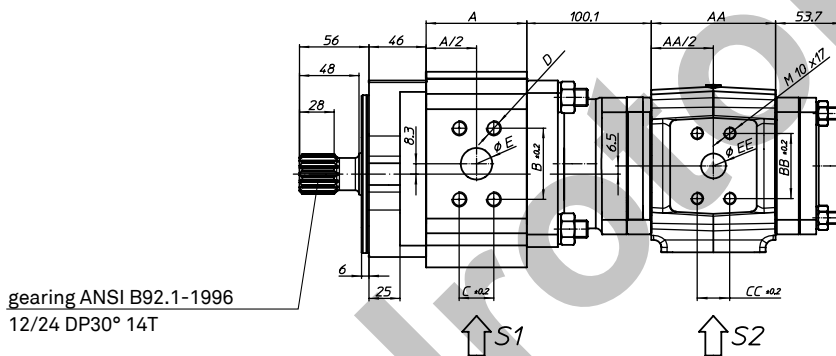
Double pump with SAE-C2-bolt flange and straight keyed shaft

Order example: EIPC5-___SK23-1X+
EIPH3-___RP36-1X



Double pump with SAE-C2-bolt flange and splined shaft

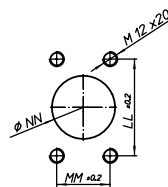
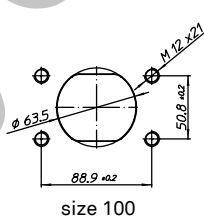
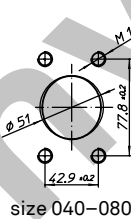
Order example: EIPC5-___SL23-1X+
EIPH3-___RP36-1X



gearing ANSI B92.1-1996
12/24 DP30° 14T

suction port S1
EIPC5

suction port S2
EIPH3



Suction port: SAE J518, standard
pressure series (code 61)

EIPC5

Size	A	B*	C*	D	E
040	61	57,2	27,8	M12x24	25,4
050	69	57,2	27,8	M12x24	25,4
064	81	57,2	27,8	M12x24	25,4
080	93	66,7	31,8	M14x24	31,8
100	109	66,7	31,8	M14x24	31,8

EIPH3

Size	AA	BB	CC	EE	FF	LL	MM	NN
025	65	47,5	22	18	64	69,9	35,7	40
032	75	47,5	22	18	64	69,9	35,7	40
040	86	52,4	26,2	20	70	77,8	42,9	51
050	100	52,4	26,2	20	70	77,8	42,9	51
063	118	52,4	26,2	25,4	70	77,8	42,9	51

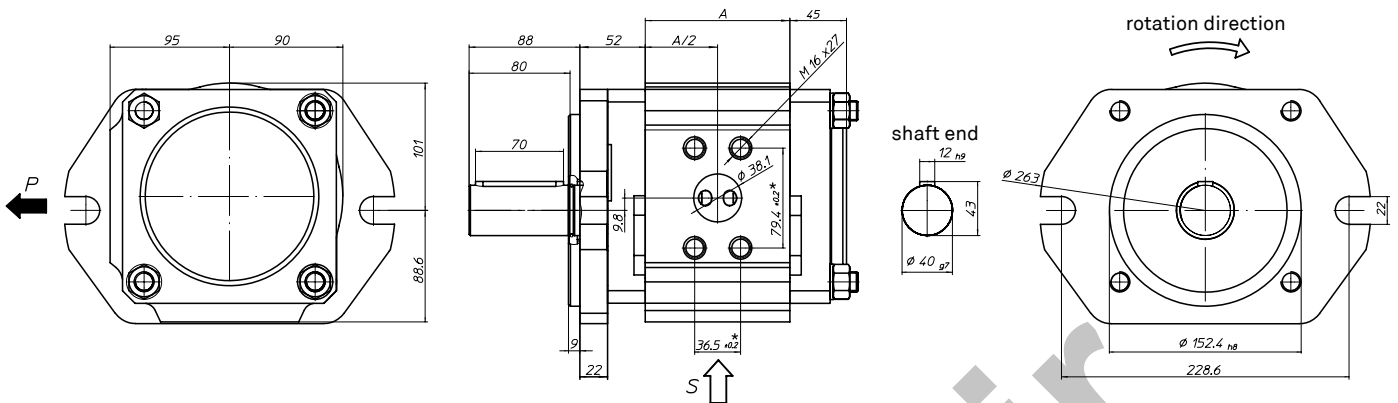
* Pressure port: SAE J518,
high pressure series (code 62)

All versions EIPC3 size 020-050 available in
RP33-1x. (Connection ports see single pump)

The single pumps of a multiple pump assembly are internally connected, even if you connect to the pump inlet. It is therefore no operating with different fluids possible.

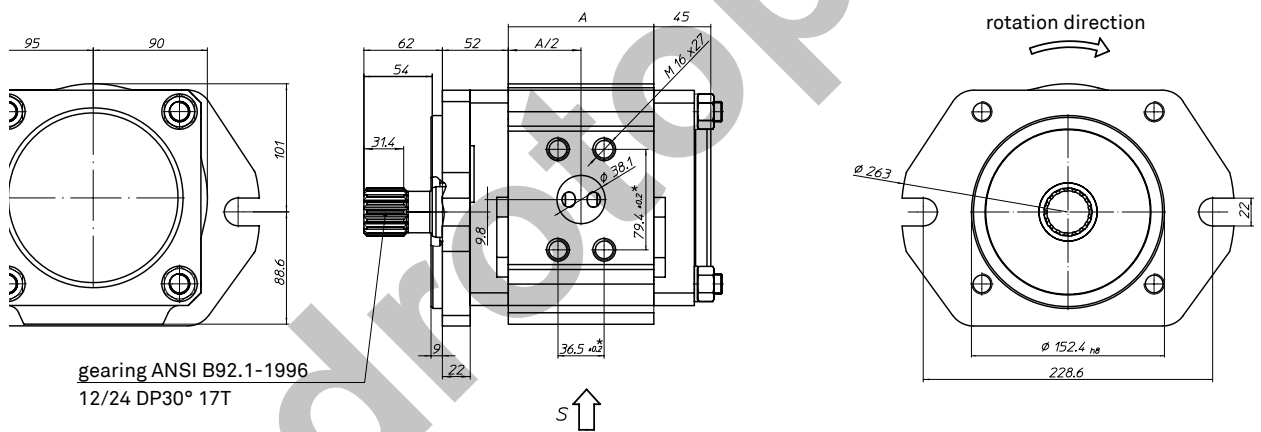
Pump with SAE-D2-bolt flange and straight keyed shaft

Order example: EIPC6-___RA23-1X

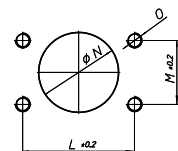


Pump with SAE-D2-bolt flange and splined shaft

Order example: EIPC6-___RB23-1X



suction port



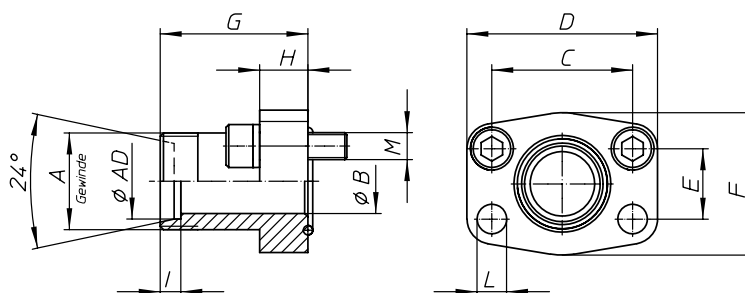
Size	A	L**	M**	N	O
125	115	88,9	50,8	63,5	M12x22
160	136	106,4	61,9	76,2	M16x25
200	161	120,7	69,9	88,9	M16x25
250	191	120,7	69,9	88,9	M16x25

* Pressure port: SAE J518, high pressure series (code 62)

** Suction port: SAE J518, standard pressure series (code 61)

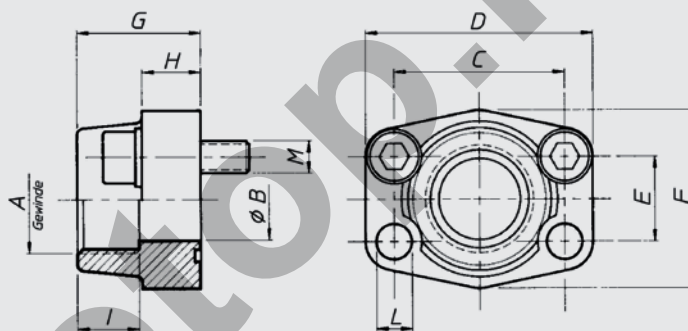
SAE flange metric tapped

Version a



SAE pipe threaded flange

Version b



Nr.	Article number	Type	pmax	AD	A	B	C	D	E	F	G	G1	H	I	L	M
1a	07 07 04 0030	GV-AD15-SAE12-C	315	15	M22x1,5	12	38,1	54	17,5	46	52		13	7	9	M8x25
1b	07 07 04 0026	EFG1/2-SAE12-C	350		G1/2"	13	38,1	54	17,5	46		36	19	19	9	M8x30
2a	07 07 04 0031	GV-AD22-SAE34-C	160	22	M30x2	19	47,6	65	22,2	50	60		14	7,5	11,5	M10x30
2b	07 07 04 0027	EFG3/4-SAE34-C	350		G3/4"	19	47,6	65	22,2	50		36	18	19	11	M10x35
3a	07 07 04 0032	GV-AD28-SAE100-C	160	28	M36x2	24	52,4	70	26,2	55	63		16	7,5	11,5	M10x30
3b	07 07 04 0028	EFG1-SAE100-C	315		G1"	25	52,4	70	26,2	55		38	18	22	11	M10x35
4a	07 07 04 0033	GV-AD35-SAE114-C	160	35	M45x2	29	58,7	79	30,2	68	65		14	10,5	11,5	M10x30
4b	07 07 04 0029	EFG1 1/4-SAE114-C	250		G1 1/4"	32	58,7	79	30,2	68		41	21	22	11,5	M10x40
5a	07 07 04 0037	GV-AD42-SAE112-C	160	42	M52x2	36	69,9	94	35,7	78	70		16	11	13,5	M12x35
5b	07 07 04 0034	EFG1 1/2-SAE112-C	200		G1 1/2"	38	69,9	94	35,7	78		45	25	24	13,5	M12x45
6b	07 07 04 0036	EFG2-SAE200-C	200		G2"	51	77,8	102	42,9	90		45	25	30	13,5	M12x45
7b	07 07 04 0041	EFG2 1/2-SAE212-C	160		G2 1/2"	63	88,9	114	50,8	105		30	25	30	13,5	M12x45
8a	07 07 04 0042	GV-AD30-SAE100-HD	400	30	M42x2	25	57,2	81	27,8	70	82		24	13,5	13	M12x45
9a	07 07 04 0043	GV-AD38-SAE114-HD	400	38	M52x2	29	66,6	95	31,8	78	92		27	16	15	M14x50
10b	07 07 04 0050	EFG3-SAE300-C	160		G3"	73	106,4	134	61,9	116		50	27	38	17,5	M16x50

Summary of SAE Pressure- and Suction flange SAE J518C, ISO 6162

Type	Inlet	Nr.	Version		Outlet	Nr.	Version	
			a	b			a	b
EIPC3-020-032	1 1/4"	4	•	•	3/4"	2	•	•
EIPC3-040-064	1 1/4"	4	•	•	1"	3	•	•
EIPC3-025-032	1 1/2"	5	•	•	3/4"	2	•	•
EIPC3-040-063	2"	6		•	1"	3	•	•
EIPC5-064	2"	6		•	1"*	8	•	
EIPC5-080	2"	6		•	1 1/4"*	9	•	
EIPC5-100	2 1/2"	7		•	1 1/4"*	9	•	
EIPC6-125	2 1/2"	7		•	1 1/2"*		○	○
EIPC6-160	3"	10		•	1 1/2"*		○	○
EIPC6-200	3 1/2"		○	○	1 1/2"*		○	○
EIPC6-250	3 1/2"		○	○	1 1/2"*		○	○

* High pressure range

1) EIPC3-063 not available with 1 1/4" suction flange

2) Pumps with enlarged suction ports

Type	Inlet	Nr.	Version	
			a	b
EIPC3/3 up to 032	1 1/2"	5	•	•
EIPC3/3 from size 040	2"	6		•

• = available ○ = on request

Hydrotop.ir

Hydrotop.ir

EIP C3 - 032 RK23 - 1X SXXX

Special version number

Tailor made design - No standard

Revision code

1st number: Change of external dimensions

2nd number: internal modifications

Intake and outlet connection - with metric threads

3: According to SAE J 518 - Code 61 / 62

6: According to SAE J 518 - Code 61 / 62 with oversized suction port for variable speed drives

0: suction port closed; common inlet

- other flanges on request -

Mounting flange

2: SAE/B 2-bolt flange, centring collar Ø 101,6 / at EIPC3

2: SAE/C 2-bolt flange, centring collar Ø 127 / at EIPC5

2: SAE/D 2-bolt flange, centring collar Ø 152,4 / at EIPC6

3: Direct mounting

5: VDMA flange on request

- other flanges on request -

Shaft end

A: straight keyed shaft

K: straight keyed shaft with PTO

B: SAE splined shaft end

L: SAE splined shaft end with PTO

E: SAE splined shaft End On one side

Multi-flow pump, not usable as single pump

No mounting option for further pumps

P: SAE splined shaft end on both sides

Secondary pump section - not usable as single pump

Rotation direction

R: Clockwise (S: CW size 5/3 I T: CW size 5/2)

L: counterclockwise)

Rated size

Three digits

Frame size

3, 5 or 6

Type

C: Industrial pump with aluminium housing

Eckerle internal gear pump

Order example

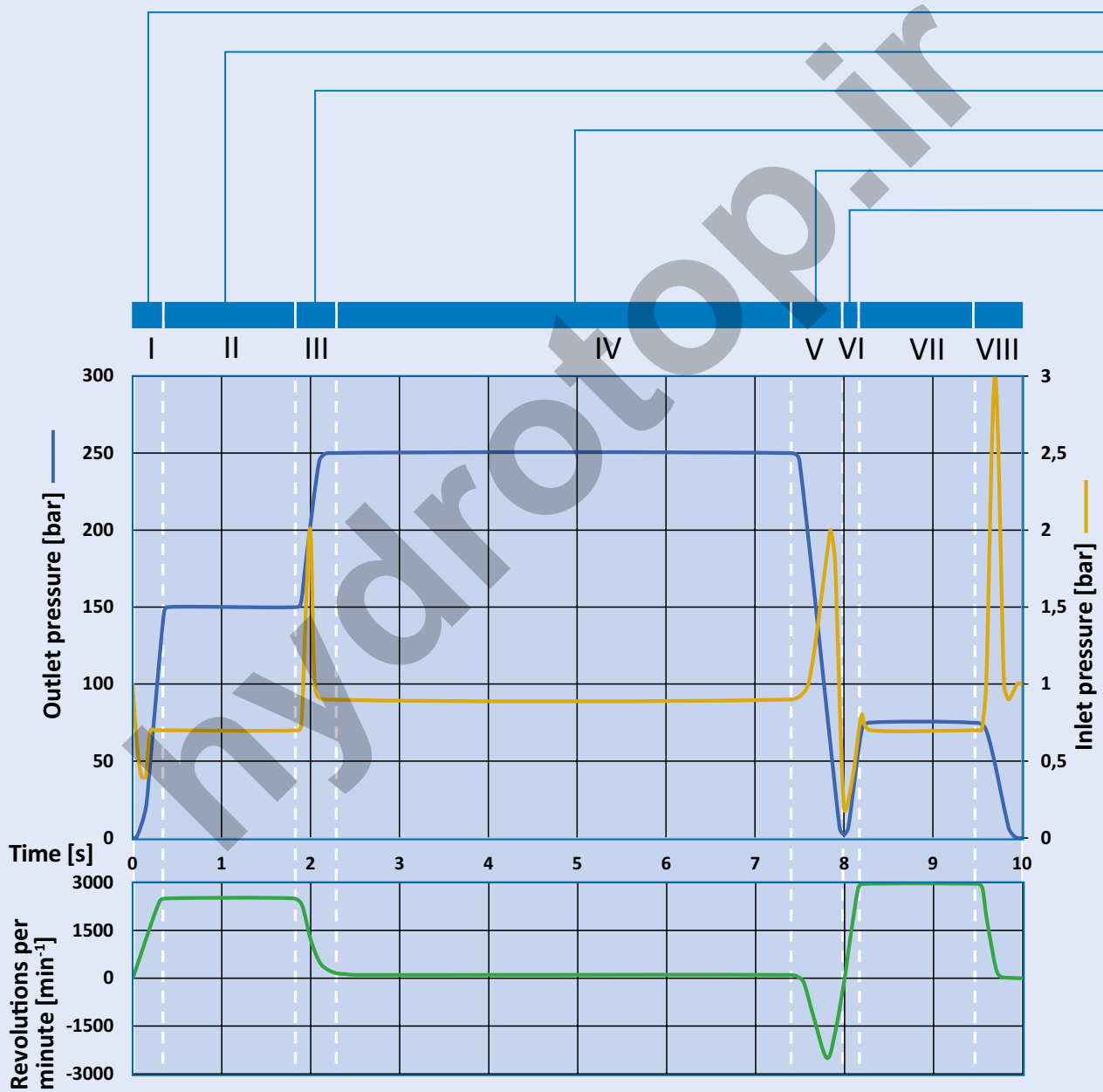
EIPC3-032 RK23-1X

for industrial applications, frame size 3 with 32.1 cm³/rev., clockwise rotation, straight keyed shaft with PTO, SAE/B2-bolt flange, SAE type suction and pressure port, revision code 1X

Variable-speed operation

As a matter of principle, Eckerle internal gear pumps are eminently suited for variable speed operation. Even at low viscosities and high temperatures of the pumping medium, the pumps run extremely energy efficiently and highly dynamically over a wide speed range due to the radial and axial gap compensation.

However, with variable speed operation certain boundary conditions should be observed. The exemplary cycle shown below illustrates this clearly.



I. Start:

Eckerle internal gear pumps are able to build up pressure from standstill. This happens smoothly when the pump starts from an unpressurized state. Please talk to Eckerle, if due to the system design the pump is pressurized at standstill.

II. + VII. Pump operation:

Eckerle internal gear pumps are capable of providing a speed-dependent volumetric flow at any pressure level during pump operation. However, application limits of the respective sizes must be observed.²⁾

III. + VIII. Deceleration:

With Eckerle internal gear pumps very high decelerations can be achieved. It must be ensured though that line-dependent pressure peaks can develop within the suction side. These should not exceed the maximum permissible inlet pressure.²⁾³⁾

IV. Pressure Holding Operation:

Eckerle internal gear pumps are able to build up high pressures even at very low speeds due to the gap compensation. Hold pressure operation is thus extremely energy-efficient. Pump operation should follow after the hold pressure operation to flush out the pump.

V. Reverse operation:

Eckerle internal gear pumps are usually able to run highly dynamically in the opposite direction of rotation in order to lower pressure peaks, or by means of a hydraulic motor. However, it must be ensured that the output pressure is always higher than the input pressure.¹⁾³⁾

VI. Acceleration:

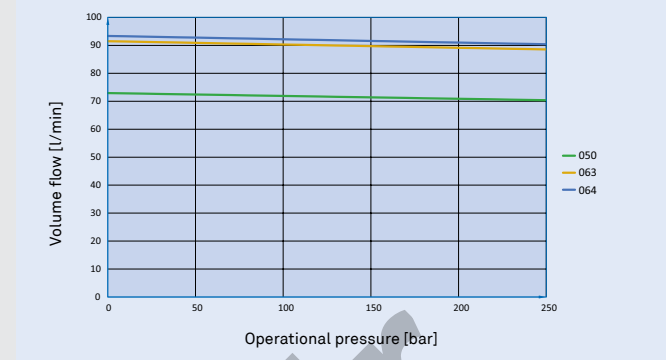
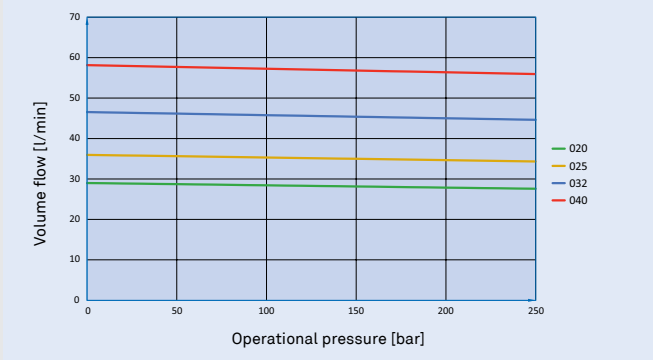
With Eckerle internal gear pumps very large speed-ups can be run. These are limited by inlet pressure, geometry of the suction line and viscosity. However, these may not drop below the specified minimum inlet pressure of the series.¹⁾³⁾

1) See Characteristics

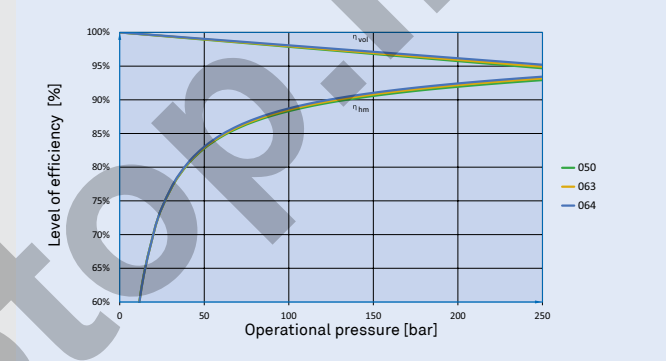
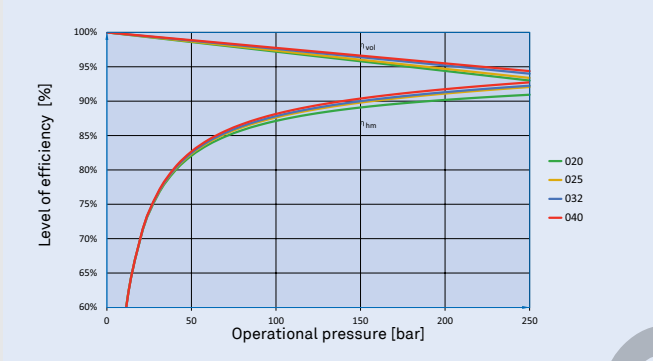
2) See Technical data

3) To avoid critical operating points, we recommend taking measurements of the pump's inlet and outlet pressure near the pump with a scanning rate of at least 1 kHz when a new pump cycle starts.

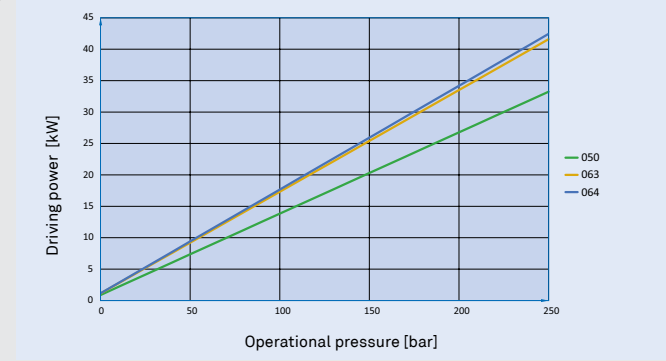
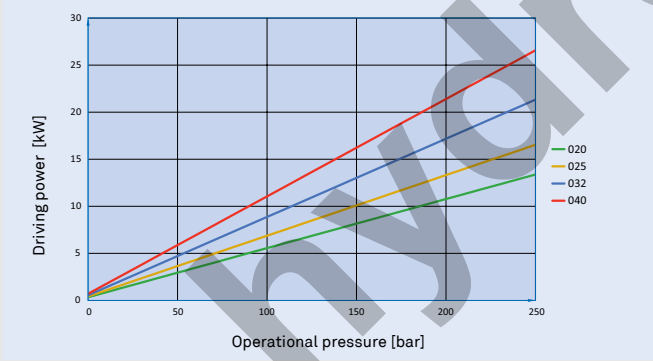
Volume flow



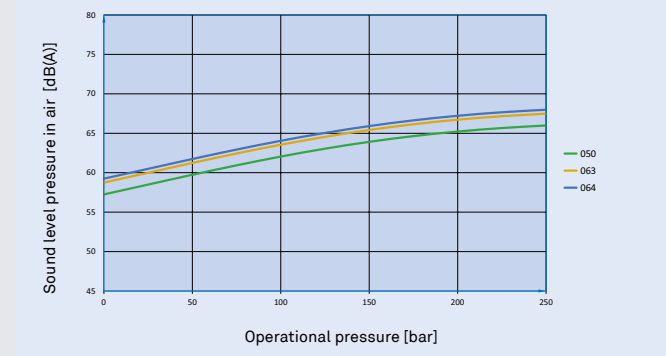
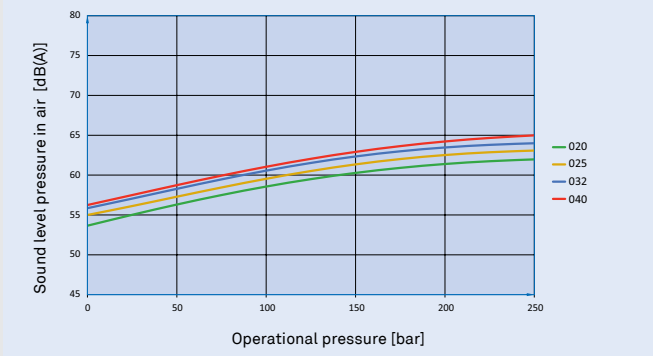
Level of efficiency



Driving power

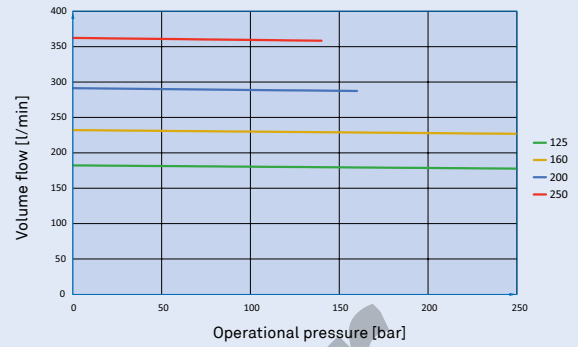
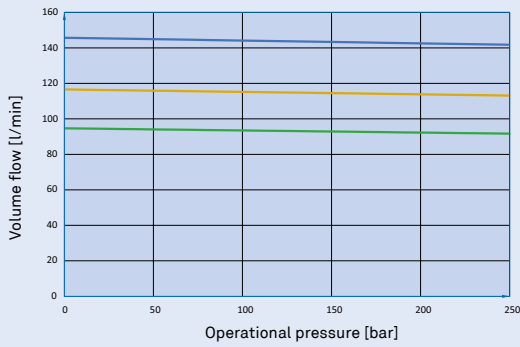


Sound level pressure in air

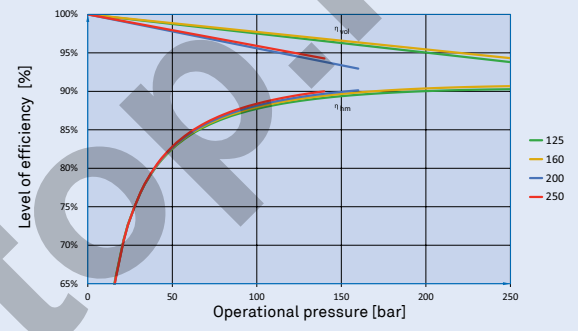
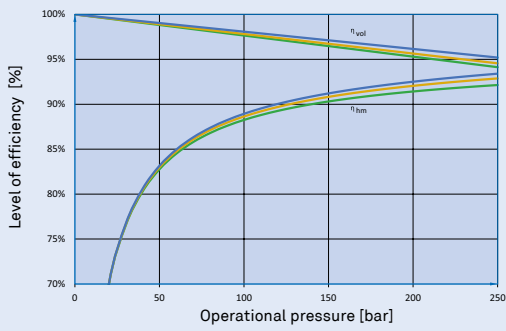


Measurement conditions: Speed 1450 rpm, viscosity 46 mm²/sec., operating temperature 40 °C, Sound pressure measured in low-reflection anechoic room in accordance with DIN 45 635 sheet 26; Microphone distance 1.0 m axial.

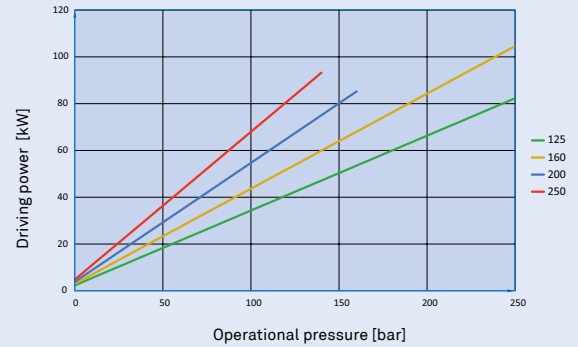
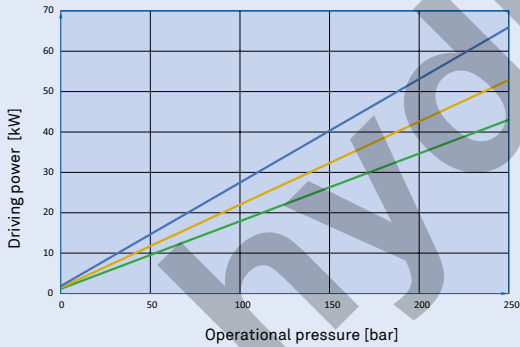
Volume flow



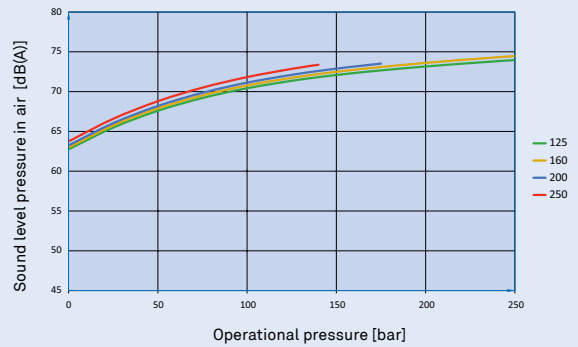
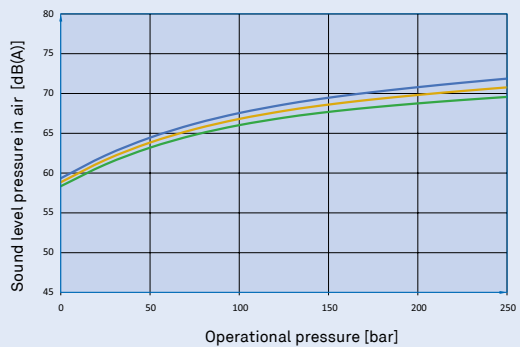
Level of efficiency



Driving power



Sound level pressure in air



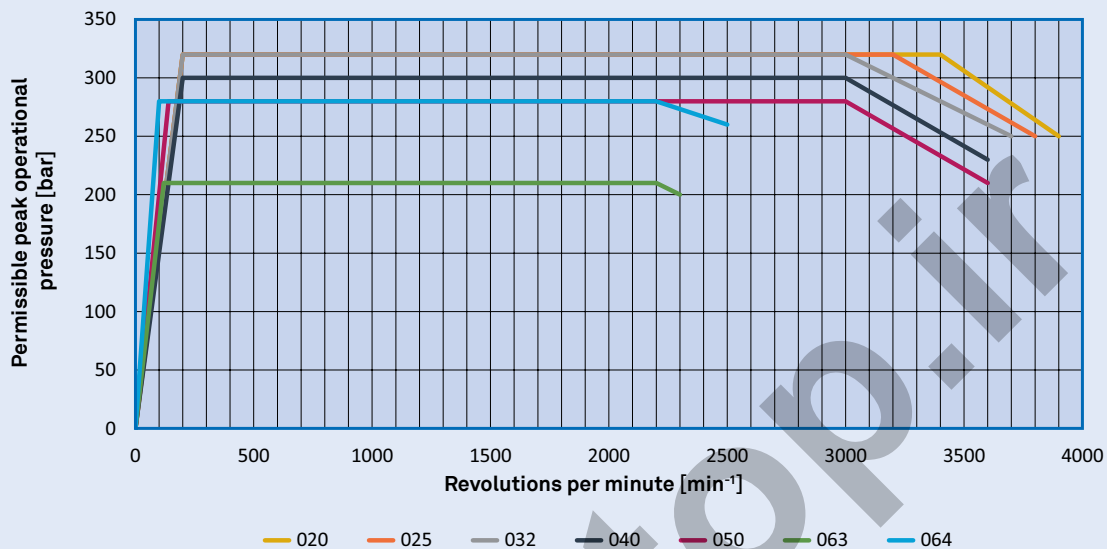
Measurement conditions: Speed 1450 rpm, viscosity 46 mm²/sec., operating temperature 40 °C, Sound pressure measured in low-reflection anechoic room in accordance with DIN 45 635 sheet 26; Microphone distance 1.0 m axial.

Characteristics

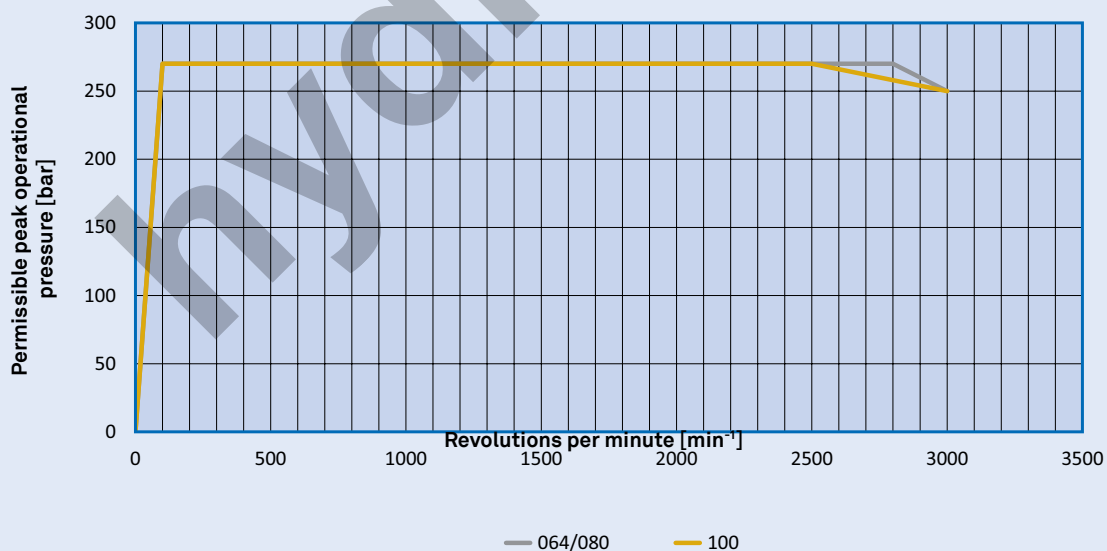
Permissible peak operational pressure dependent on speed

EIPC3

Nominal size 040, 050, 063 & 064 including suction port 2"

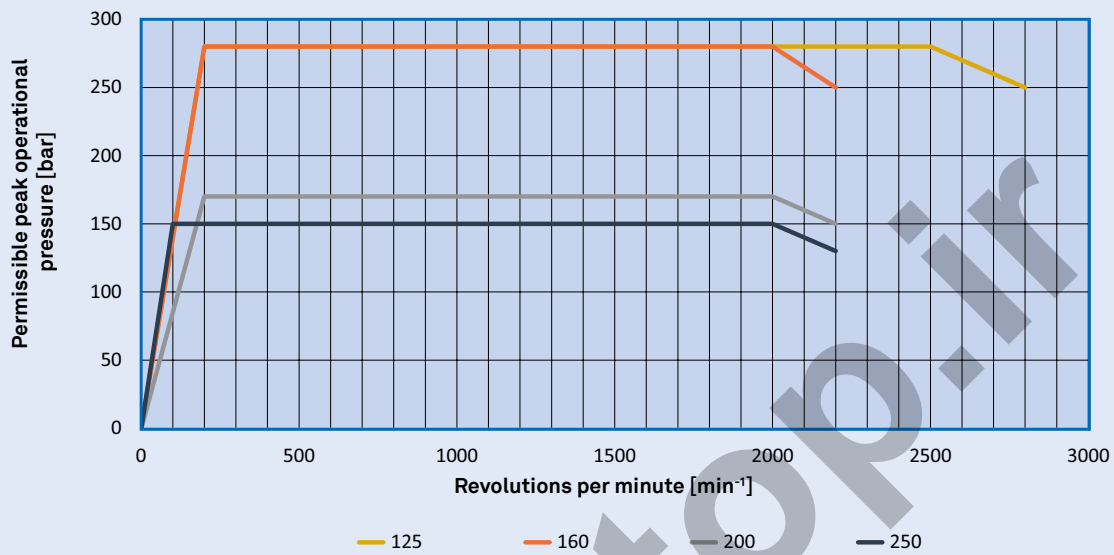


EIPC5



Peak operating pressures are permitted for a maximum of 10 seconds or 15% of the duty cycle

EIPC6



hydrotolpir



For further information please visit:
eckerle.com

All indicated data serve alone the product description and are not as characteristics in the legal sense to be understood. Subject to alterations.

hydrotop.ir

Eckerle Technologies GmbH
P.O. box 1368
Otto-Eckerle-Straße 6/12A
76316 Malsch, Germany
Tel. +49 (0) 7246 9204-0
sales.EHD@eckerle.com

eckerle