



ET02



ET04



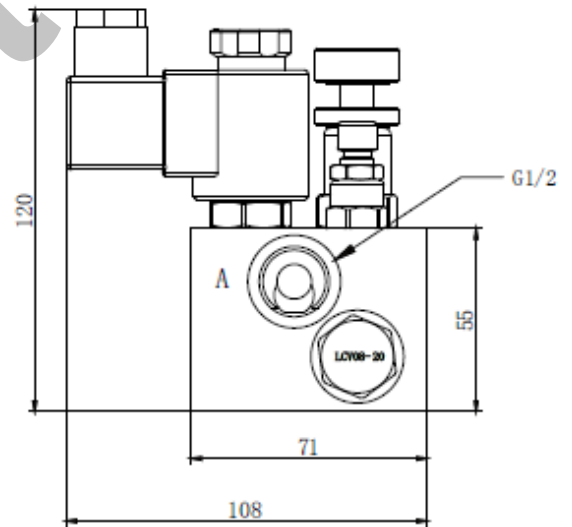
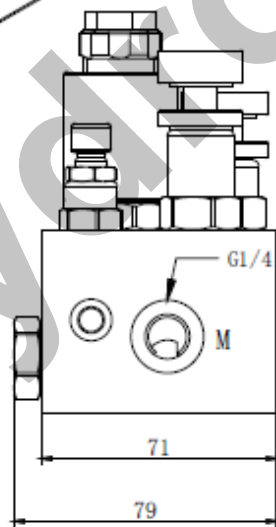
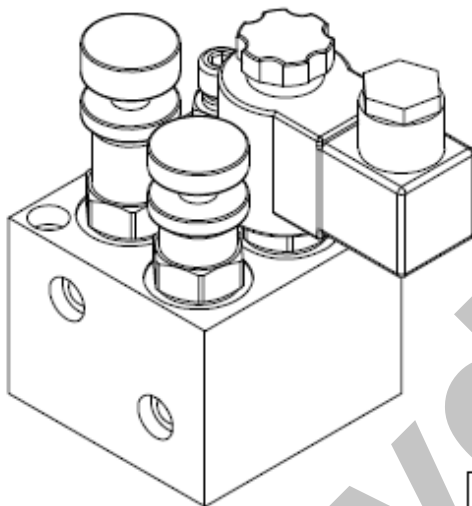
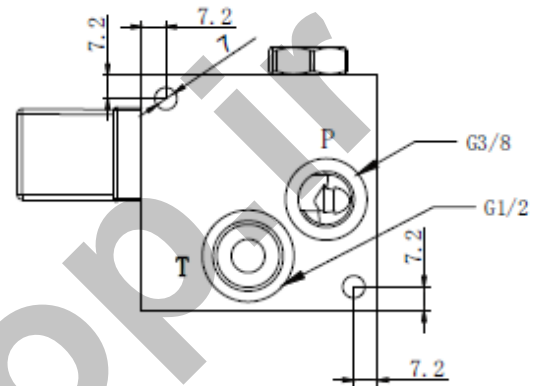
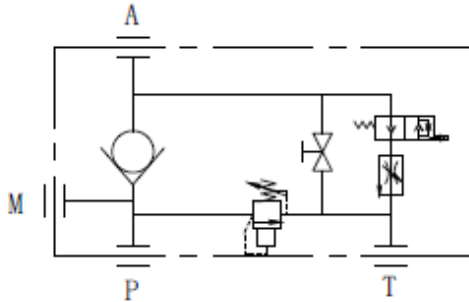
ET04-S12

Technical Data

Model	ET-02	ET-04
Max. flow rate (l/min)	20	40
Max. working pressure (bar)	250	250
Material	Aluminium 6061-T6	Aluminium 6061-T6
Weight (Kgs)	1.2~1.3	2.6~2.7
Min. working voltage	90% of rated voltage	90% of rated voltage
Hydraulic fluid	Mineral oil	Mineral oil
Seal material	NBR seals	NBR seals
Temperature range (°C)	-30 to +80	-30 to +80
Viscosity range (mm ² /s)	2.8 to 500	2.8 to 500
Oil cleanliness class according to ISO4406	Class 20/18/15	Class 20/18/15

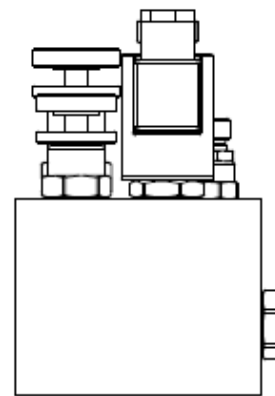
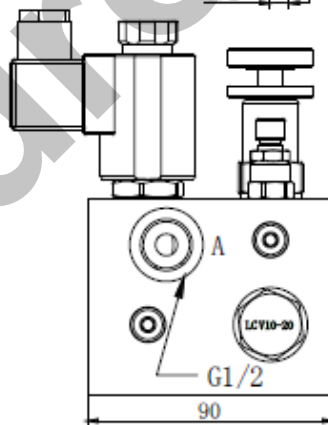
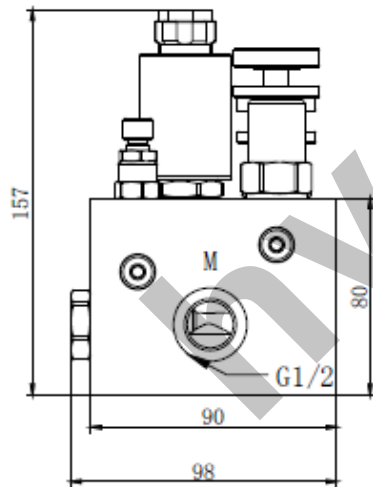
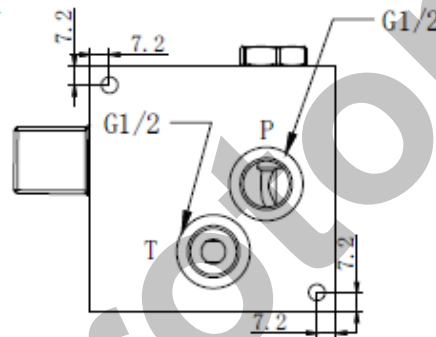
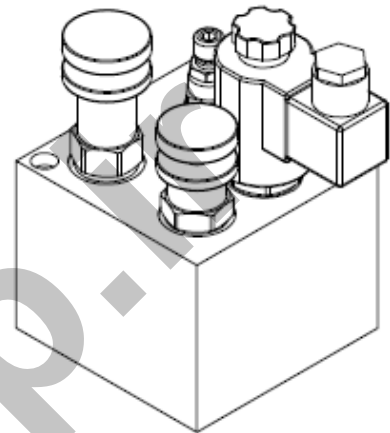
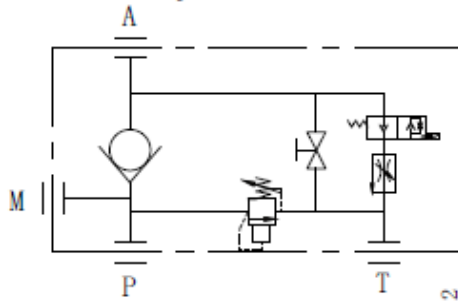
ET02

Functional symbols:



ET04

Functional symbols:



ET04-S12

