

BL84 -Filter/regulator - Lubricator Combination Units Excelon® Plus Modular System

- > Port size: 3/8" ... 3/4" (ISO G/PTF)
- > Unique Quikclamp connection system offers full modularity
- > 40 micron particle and high efficiency water removal (> 98%)
- > Double safety lock on bowl
- > Integrated gauge
- > Shut off valve, Regulator & Filter Regulator with tamper resistance feature.
- > Metal bowl with prismatic liquid level indicator
- > Light weight polycarbonate bowl
- > Easy to read flush mounted integrated pressure gauge as standard
- > All round (360°) visibility of sightdome for ease of drip rate setting



Technical features

Medium:

Compressed air only

Maximum supply pressure:

Polycarbonate bowl: 10 bar (145 psi)

Metal bowl: 20 bar (290 psi)

Outlet pressure ranges:

0,3 ...10 bar (4 ... 145 psi),

Filter element:

40 µm

Port size:

G3/8, G1/2, G3/4,

3/8 PTF, 1/2 PTF, 3/4 PTF

Gauge:

Integrated as standard

Diaphragm Type:

Relieving

Drain:

Manual or automatic

Automatic drain operating conditions (float operated):

Bowl pressure required to close drain: > 0,35 bar (5 psi)

Bowl pressure required to open drain: ≤ 0,2 bar (2.9 psi)

Minimum air flow required to close drain: 1 dm³/s (2 scfm)

Ambient/Media temperature:

Polycarbonate bowl:

-10 ... +60°C (+14 ... +140°F)

Metal bowl:

-20 ... +65°C (-4 ... +149°F)

Air supply must be dry enough to avoid ice formation at temperatures below +2°C (+35°F).

Materials:

Body: Die cast aluminium

Body covers: ABS

Bonnet: Acetal

Valve: PP

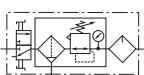
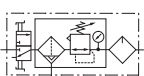
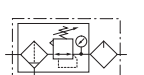

Transparent Bowl : Polycarbonate with Polypropylene Guard.

Metal Bowl: Die cast Aluminium with PA liquid level indicator lens

Filter element: sintered PP

Bowl 'o'- ring: Chloroprene
Elastomers: NBR

Technical data BL84 - standard models

Symbol	Port size	Shut off valve	Drain	Lubricator type	Weight (kg)	Model *1)
	G3/8	With	Manual	Microfog	1,65	BL84-321G
	G1/2	With	Manual	Microfog	1,65	BL84-421G
	G3/4	With	Manual	Microfog	1,65	BL84-621G
	G3/8	With	Auto	Microfog	1,65	BL84-301G
	G1/2	With	Auto	Microfog	1,65	BL84-401G
	G3/4	With	Auto	Microfog	1,65	BL84-601G
	G3/8	Without	Manual	Microfog	1,15	BL84-325G
	G1/2	Without	Manual	Microfog	1,15	BL84-425G
	G3/4	Without	Manual	Microfog	1,15	BL84-625G
	G3/8	Without	Auto	Microfog	1,15	BL84-305G
	G1/2	Without	Auto	Microfog	1,15	BL84-405G
	G3/4	Without	Auto	Microfog	1,15	BL84-605G

*1) All models shown here are supplied with integrated gauge applicable for flow direction left to right.

With flow direction right to left please use the online configurator www.norgren.com/air-preparation-configurator or contact Norgren

Option selector *1)
BL84-★★★★

Port size	Substitute
3/8"	3
1/2"	4
3/4"	6
Units	Substitute
Filter/Regulator w. auto drain, Micro fog lubricator, Polycarbonate bowls	0
Filter/Regulator w. auto drain, Oil fog lubricator, Polycarbonate bowls	1
Filter/Regulator w. manual drain, Micro fog lubricator, Polycarbonate bowls	2
Filter/Regulator w. manual drain, Oil fog lubricator, Polycarbonate bowls	3
Filter/Regulator w. auto drain, Micro fog lubricator, Metal bowls	5
Filter/Regulator w. auto drain, Oil fog lubricator, Metal bowls	6
Filter/Regulator w. manual drain, Micro fog lubricator, Metal bowls	7
Filter/Regulator w. manual drain, Oil fog lubricator, Metal bowls	8

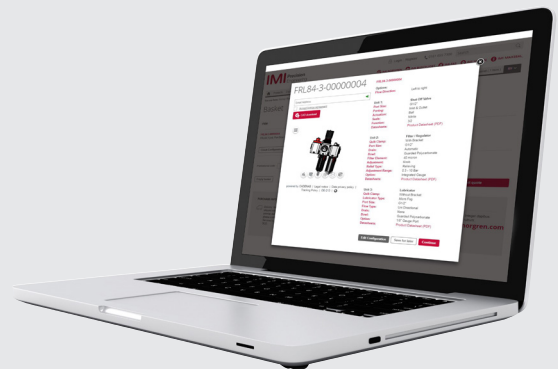
Thread form	Substitute
PTF	A
ISO G parallel (standard)	G
Accessories	Substitute
Shutt-off valve & gauge & brackets	1
Gauge & bracket	5

*1) All models shown here are applicable for flow direction left to right. With flow direction right to left please use the online configurator www.norgren.com/air-preparation-configurator or contact Norgren

In addition to the standard box set units shown on this data sheet, further combinations can be configured

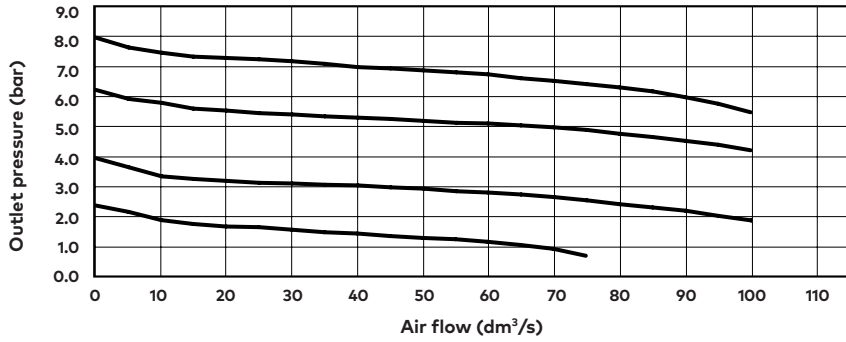
using our online Air Preparation configurator:

www.norgren.com/air-preparation-configurator

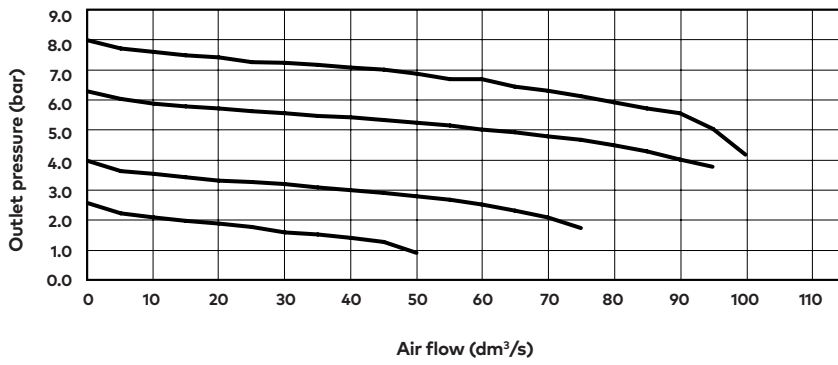


Flow characteristics

Inlet pressure: 10 bar (145 psi)
 Port size: 1/2", 40 µm element



Inlet pressure: 10 bar (145 psi)
 Port size: 3/8", 40 µm element



Accessories

Wall mounting bracket



Page 6

840024-50KIT

Quikclamp®



Page 6

840014-51KIT

Quikclamp® with bracket assembled



Page 6

840014-52KIT

Hybrid Quikclamp® *1



Page 6

840014-61

Hybrid Quikclamp® with bracket assembled *1

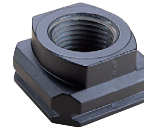


Page 6

840014-62

*1) To connect new Excelon Plus to old Excelon 74/73 units.
Having the same hole centres as 74 series mounting bracket.
A Quikclamp adds 13.6 mm to the overall width of a combination unit

Port Adaptors



Page 7

3/8 PTF	840015-02KIT
1/2 PTF	840015-03KIT
3/4 PTF	840015-04KIT
G3/8	840015-10KIT
G1/2	840015-11KIT
G3/4	840015-12KIT

Pressure sensing block 1/4" PTF



Page 6

840016-50KIT

Pressure sensing block G1/4



Page 6

840016-51KIT

Full flow porting block 3/4" PTF



Page 6

840028-50KIT

Full flow porting block G3/4



Page 6

840028-53KIT

Full flow porting block 3/4" PTF



Page 6

840028-68KIT

Full flow porting block G3/4



Page 6

840028-69KIT

Pressure switch interface block (18D pressure switch) G1/4



Page 8

0337717000000000

Pressure switch 18D (0,5 ... 8bar) *1



Page 8

0881300

Digital pressure switch 51D (-1 ... 10 bar) *2



Page 8

0860810

Electronic Pressure Sensor – stand alone version *3



Q84G

IO-Link cables

Connection cable M8x1 for intergated digital pressure switch



Description	Cable length (m)	Model
M8 female to M12 male	0,6	NC-084FS-124MS-A
	1,0	NC-084FS-124MS-1
	2,0	NC-084FS-124MS-2
	5,0	NC-084FS-124MS-5
M8 female to free end	5,0	NC-084FS-00000-5

Padlock

Padlock



840055-01KIT

Lockout device



840055-02KIT

Silencer

Porous plastic silencer *3)
G1/4



M/S2

Plastic silencer *3)
G1/4



0014600000000000

Sinter bronze silencer *3)
1/4 PTF



MS002A

Sinter bronze silencer *3)
G1/4



T40C2800

*3) Max. pressure of silencers listed in this data sheet : 10bar.
For pressure higher than 10bar please contact Norgren

Maintenance/Service

Filter cartridge
40 micron



840038-51KIT

Auto drain kit with
metal Nut - Imperial



6000-61KIT

Auto drain kit with
metal Nut - Metric



6000-60KIT

R84 / B84
Elastomer Kit



FRLB84-KIT

Lubricator sight dome kit



Micro fog (red) 840055-50KIT

Oil fog (green) 840055-51KIT

Spare parts

Filter Bowl (Guarded Poly bowl
with auto drain 6 mm PIF)



840025-51KIT

Filter Bowl (Guarded Poly
bowl with manual drain)



840025-50KIT

Filter Bowl (Metal with S/
Glass & auto drain, 6 mm PIF)



840003-51KIT

Filter Bowl (Metal with S/
Glass & manual drain)



840003-50KIT

Filter Bowl (Guarded Poly
bowl with auto drain, 1/4 PIF)



840025-53KIT

Filter Bowl (Metal with S/
Glass & auto drain, 1/4 PIF)

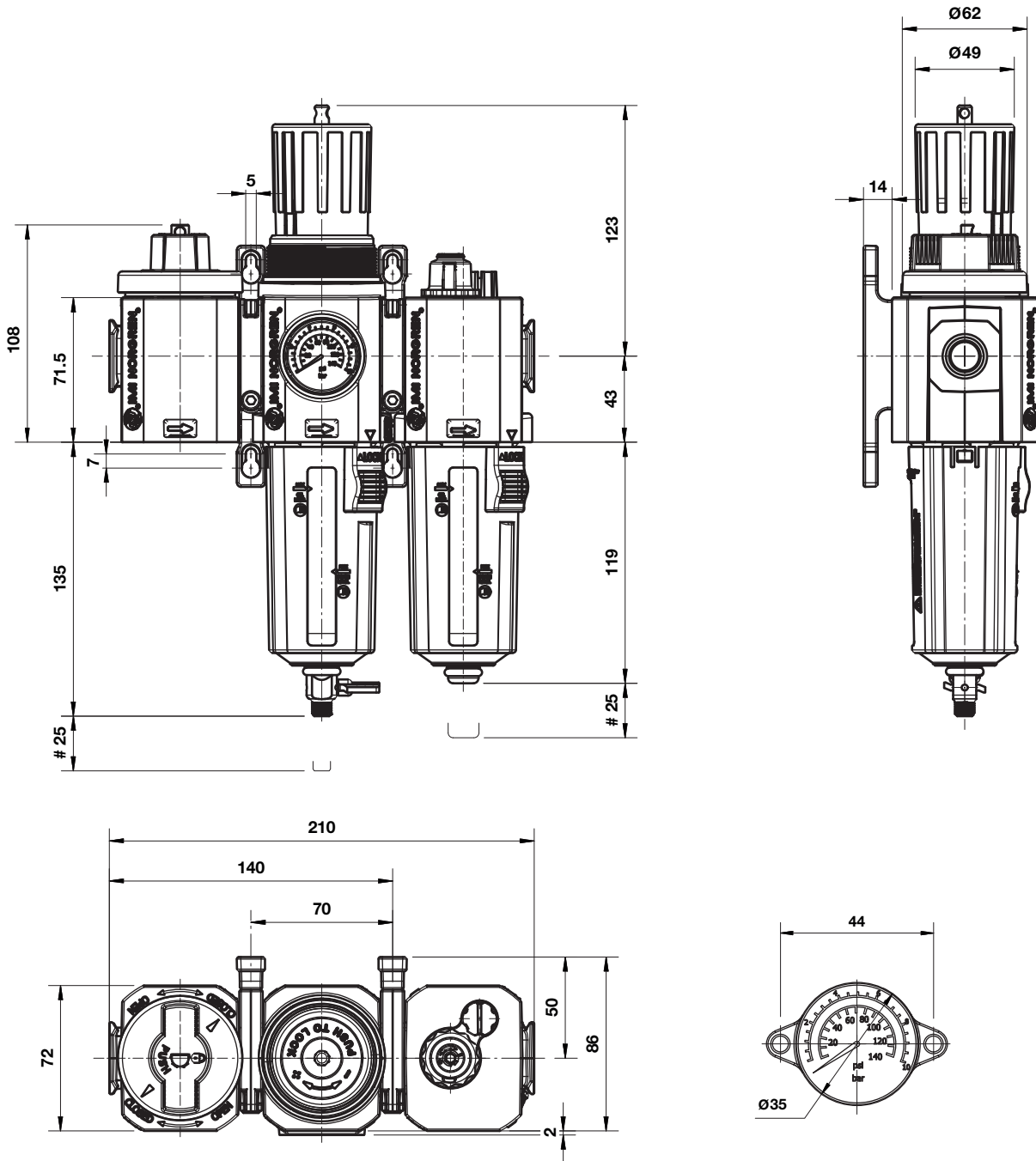


840003-56KIT

Dimensions

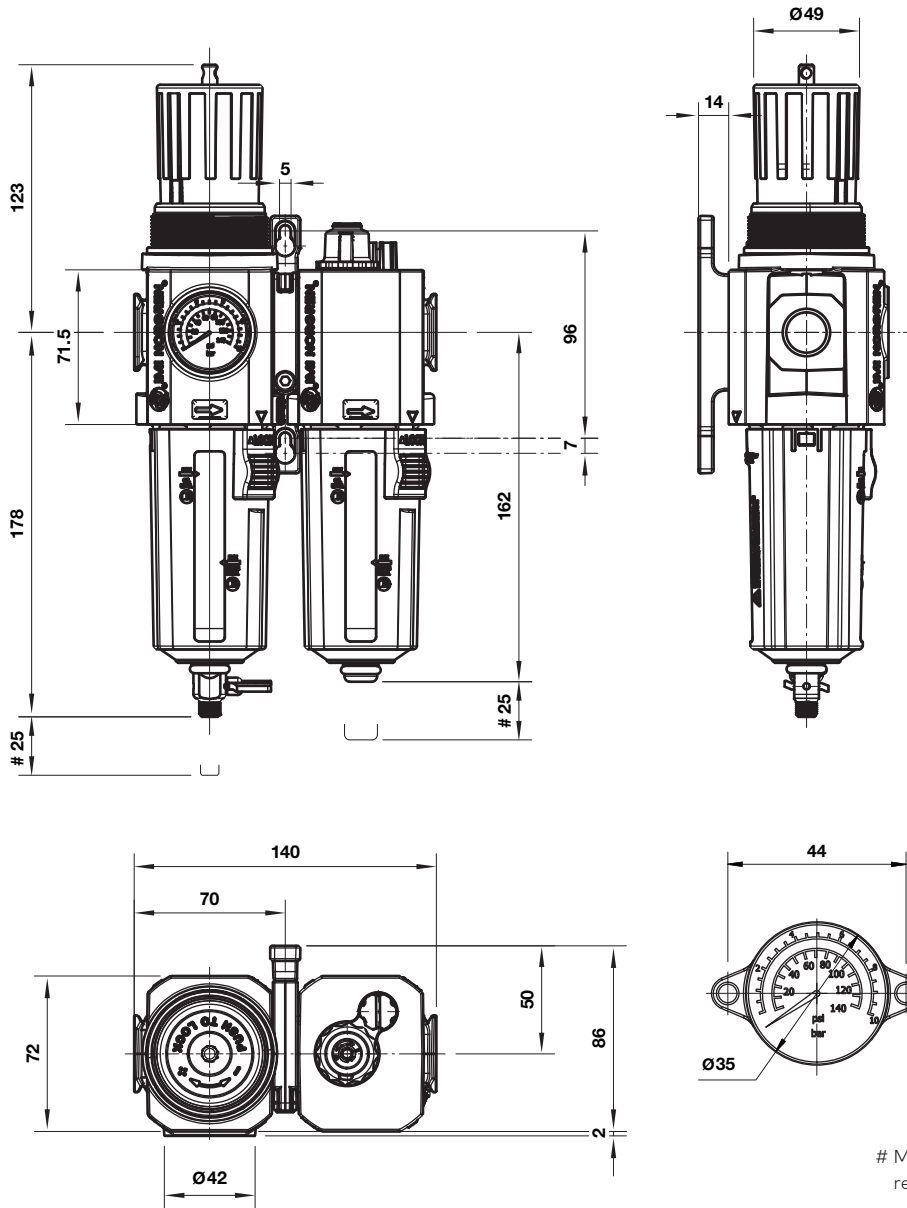
Shut-off valve, Filterregulator and Lubricator

Dimensions in mm
Projection/First angle



Minimum clearance for bowl removal

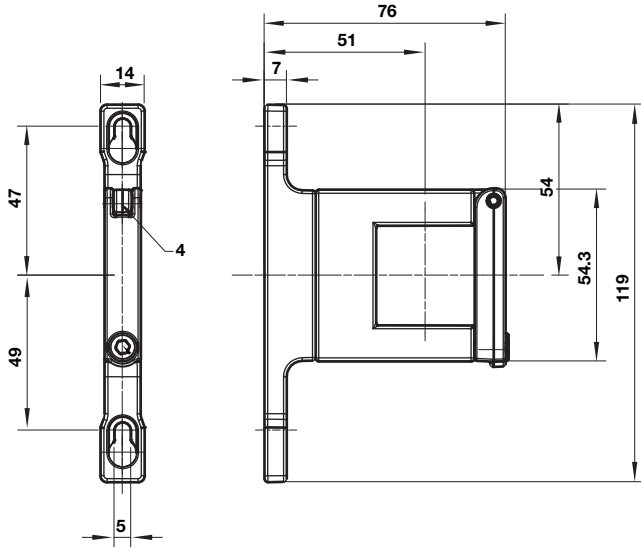
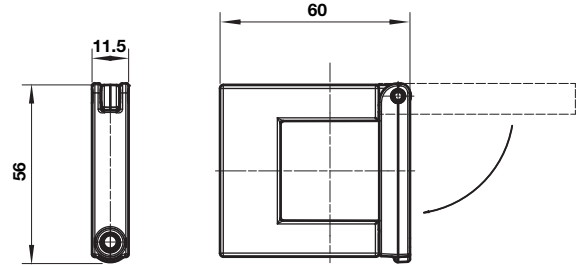
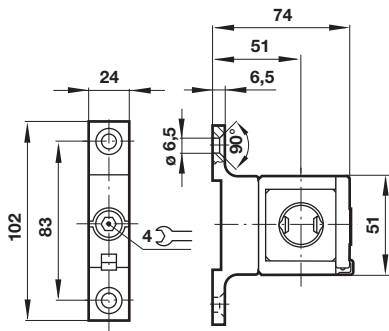
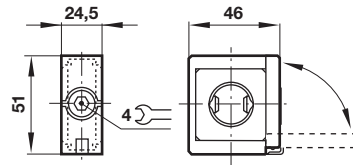
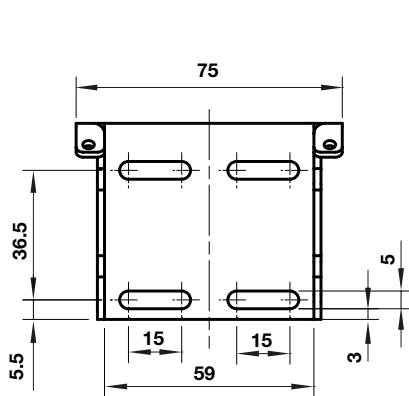
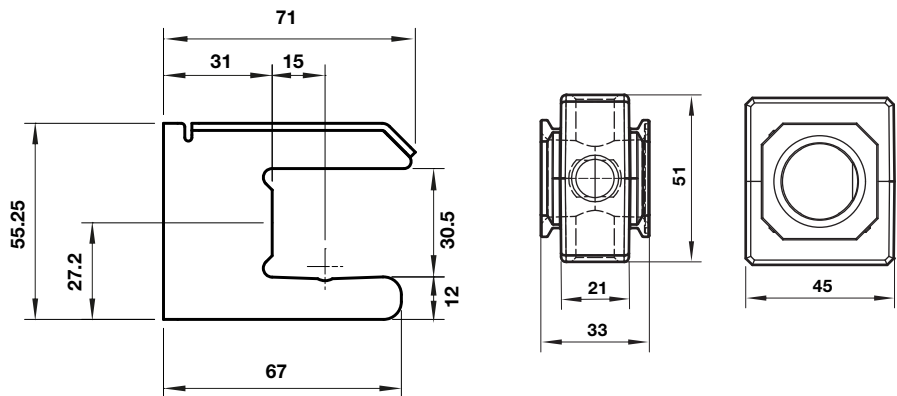
**Dimensions
Filterregulator and Lubricator**

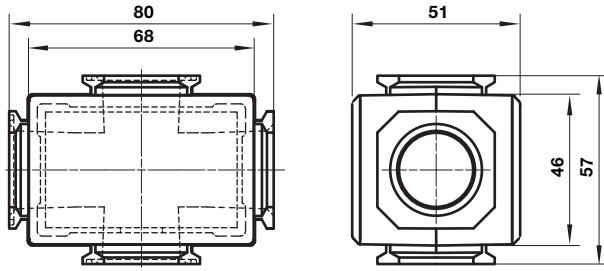
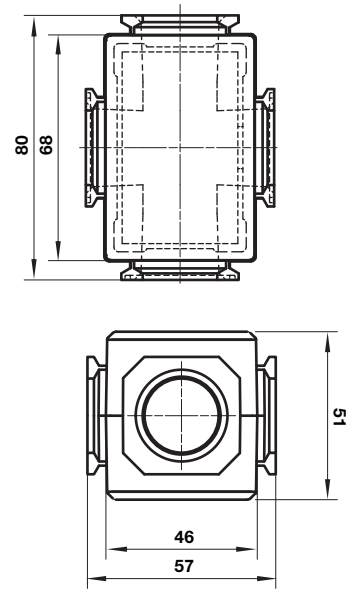
 Dimensions in mm
Projection/First angle


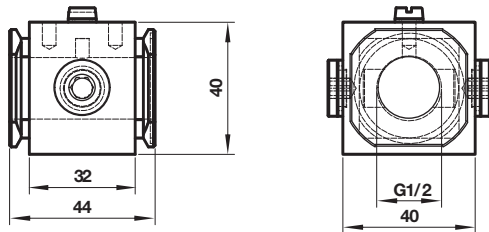
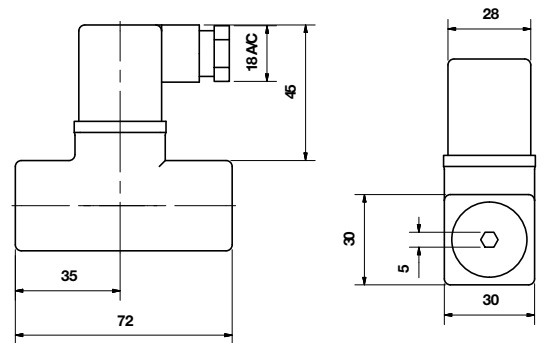
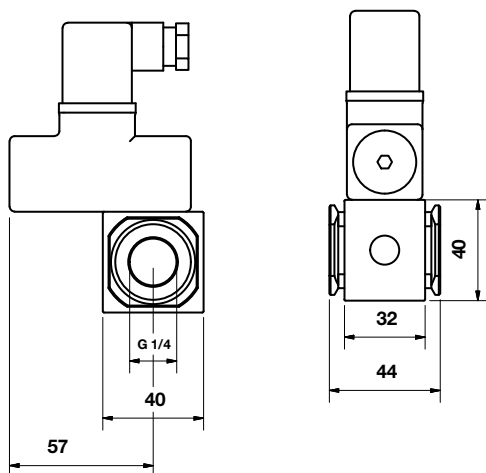
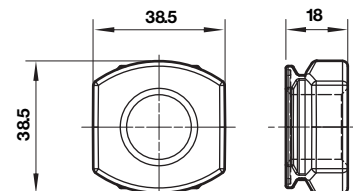
Minimum clearance for bowl removal

Accessories

 Dimensions in mm
 Projection/First angle

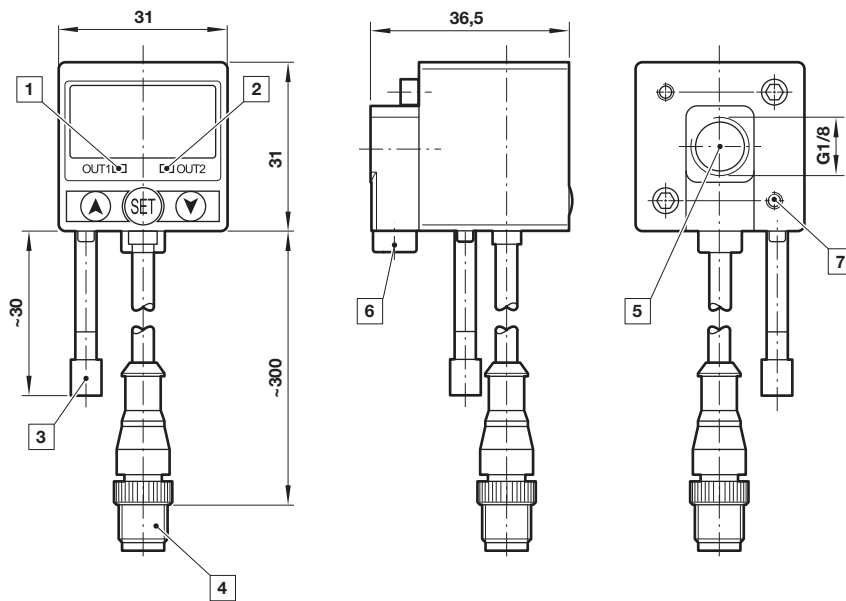
Quikclamp® with wall bracket

Quikclamp®

Hybrid-Quikclamp® with wall bracket

Hybrid-Quikclamp®

Mounting bracket

Pressure sensing block


Full flow porting block horizontal

Full flow porting block vertical

 Dimensions in mm
 Projection/First angle

Porting block for 18D pressure switch

18D Pressure switch

18D Porting block and 18D assembled

Pipe adaptor


51D Pressure switch - digital

Dimensions in mm
Projection/First angle



- 1 Switch OUT 1, green LED
- 2 Switch OUT 2, red LED
- 3 Dustproof protector
- 4 Connector M12 x 1
- 5 Inlet port
- 6 Alternative inlet port G1/8 plugged
- 7 Thread for mounting screw

Warning

These products are intended for use in industrial compressed air systems only. Do not use these products where pressures and temperatures can exceed those listed under »**Technical features/ data**«.

Before using these products with fluids other than those specified, for non-industrial applications, life-support systems or other applications not within published specifications, consult Norgren Ltd.

Through misuse, age, or malfunction, components used in fluid power systems can fail in various modes.

The system designer is warned to consider the failure modes of all component parts used in fluid power systems and to provide adequate safeguards to prevent personal injury or damage to equipment in the event of such failure.

System designers must provide a warning to end users in the system instructional manual if protection against a failure mode cannot be adequately provided.

System designers and end users are cautioned to review specific warnings found in instruction sheets packed and shipped with these products.