

- > Port size: 1/4" ... 3/4" (ISO G/PTF)
- > F64B/F64L are 'dual function' products incorporating an oil removal element (bottom) and an oil vapour removal element (top)
- > Ultra high efficiency coalescing filters with active carbon pack

- > High intensity blue colour change indicates the presence of oil

Remark:
These units do not deposit carbon monoxide, carbon dioxide or other toxic gases or vapors.



Technical features

Medium:
Compressed air only

Function:
Stage 1: Pre-filter 40 µm
Stage 2: Main filter 0,01 µm
Stage 3: Carbon element

Maximum operating pressure:
17 bar (246 psi)

Remaining oil content:
0,003 mg/m³ max at +21°C (+70°F)

Port sizes:
1/4", 3/8", 1/2" or 3/4"

Maximum flow at 6,3 bar (90 psi) inlet pressure:
F64B: 7 dm³/s (15 scfm)
F64L: 11 dm³/s (23 scfm)
To maintain stated oil removal performance

Drain:
Automatic

Automatic drain conditions:
Pressure to close drain:
> 0,3 bar (4.3 psi)
Pressure to open drain:
< 0,2 bar (2.9 psi)
Minimum air flow to close drain:
0,6 dm³/s (1.3 scfm)

Ambient/Media temperature:
-20° ... +65°C (-4° ... +149°)
Air supply must be dry enough to avoid ice formation at temperatures below +2°C (+35°F).

Note:
Install an F64G filter with a 5 µm filter element upstream of the F64B/L filter for maximum service life.

Materials:
Body and yoke: Zinc alloy
Connection piece: Aluminium
Metal bowl: Aluminium
Main filter element & activated carbon pack: Composite materials
Prismatic liquid level indicator: Grilamid
Elastomers: NBR

Technical data, standard models

Symbol	Port size	Size	Filter element (µm)	Drain	Weight (kg)	Model
	G1/4	—	0,01	Automatic	1,83	F64B-2GN-ARO
	G3/8	—	0,01	Automatic	2,21	F64L-3GN-ARO
	G1/2	Basic	0,01	Automatic	2,50	F64L-4GN-ARO
	G3/4	—	0,01	Automatic	2,88	F64L-6GN-ARO
	Without yoke	—	0,01	Automatic	1,59	F64B-NNN-ARO
	Without yoke	—	0,01	Automatic	1,59	F64L-NNN-ARO

Technical data F64C or F64H models with standard pre-filter F64G

Symbol	Port size	Size	Pre-filter element (µm)	Secondary filter element (µm)	Drain	Weight (kg)	Model
	G1/4	—	5	0,01	Automatic	3,20	FFB64-208
	G3/8	—	5	0,01	Automatic	3,57	FFB64-308
	G1/2	Basic	5	0,01	Automatic	3,60	FFB64-408
	G3/4	—	5	0,01	Automatic	3,98	FFB64-608

Option selector

Size	Substitute
1/4"	B
3/8" ... 3/4"	L
Port size	Substitute
1/4"	2
3/8"	3
1/2"	4
3/4"	6
No yoke	N

F64★-★N-★R0

Drain	Substitute
Manual	M
Automatic (standard)	A
Thread	Substitute
PTF	A
ISO G parallel (standard)	G

Typical performance characteristics

Inlet pressure (bar)	Maximum flow (dm³/s) *	
	F64B	F64L
1	2,8	4,4
3	4,8	7,6
5	6,2	9,8
6,3	7,0	11,0
7	7,3	11,5
9	8,4	13,2

* Maximum flow to maintain stated oil removal performance.

Accessories

	Models Single yoke	Double yoke	3/2 Shut-off valve Threaded inlet only	Threaded outlet only	End connector kit	Rear entry bracket kit
Thread						8
G1/4	Y64A-2GA-N1N	Y64A-2GA-N2N	T64T-2GB-P1N	T64T-2GC-P1N	—	—
G3/8	Y64A-3GA-N1N	Y64A-3GA-N2N	T64T-3GB-P1N	T64T-3GC-P1N	—	—
G1/2	Y64A-4GA-N1N	Y64A-4GA-N2N	T64T-4GB-P1N	T64T-4GC-P1N	74505-50	—
G3/4	Y64A-6GA-N1N*	Y64A-6GA-N2N*	T64T-6GB-P1N	T64T-6GC-P1N	74505-53	18-026-981
1/4 PTF	Y64A-2AA-N1N	Y64A-2AA-N2N	T64T-2AB-P1N	T64T-2AC-P1N	—	—
3/8 PTF	Y64A-3AA-N1N	Y64A-3AA-N2N	T64T-3AB-P1N	T64T-3AC-P1N	—	—
1/2 PTF	Y64A-4AA-N1N	Y64A-4AA-N2N	T64T-4AB-P1N	T64T-4AC-P1N	74505-52	—
3/4 PTF	Y64A-6AA-N1N*	Y64A-6AA-N2N*	T64T-6AB-P1N	T64T-6AC-P1N	74505-55	—

*These yokes are supplied with two end connector kits as standard

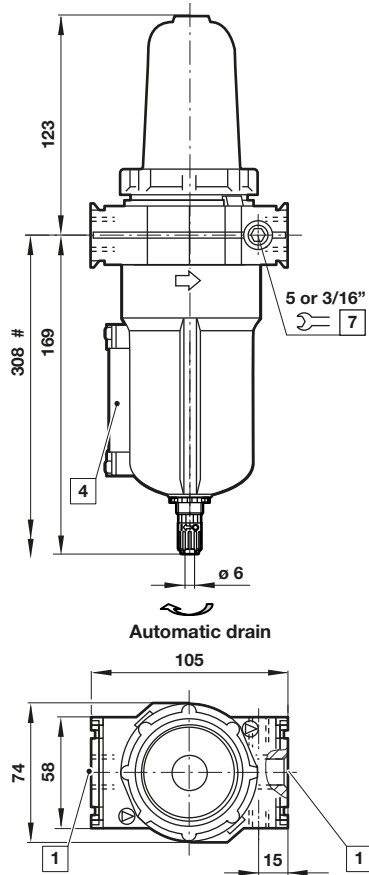
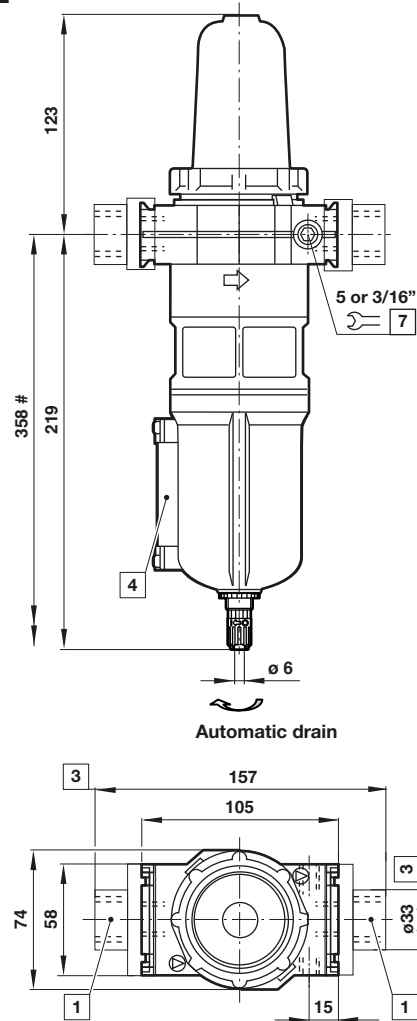
Bracket mounting	Nut	Yoke connector kit	Porting block	Adjustable pressure switch	Padlock with two keys
1	4	9			
74504-50	74502-89	74503-51	74507-50	4346-99	0613633 (brass)

Service kit

Service kit F64B	Service kit F64L
	
F64B-KITA0V	F64L-KITA0V

Basic dimensions

 Dimensions in mm
 Projection/First angle

F64B

F64L


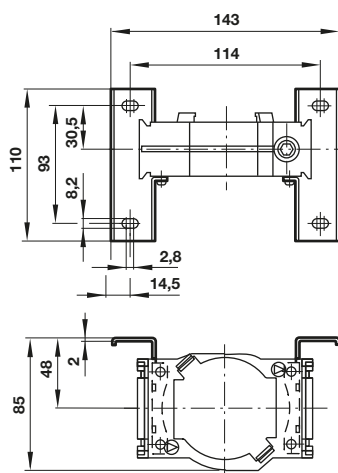
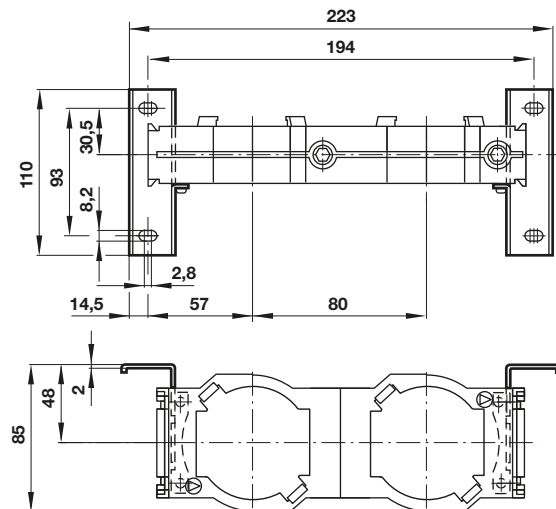
Minimum clearance required to remove bowl

1 Main ports 1/4", 3/8", 1/2" or 3/4"

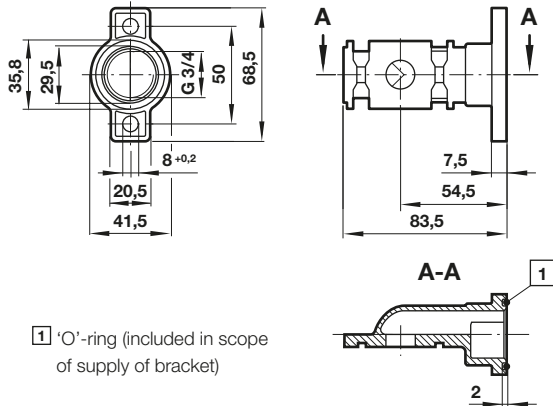
3 For main ports 3/4" only

4 Sight glass

7 Gauge port 1/8"

Single yoke with bracket mounting

Double yoke with bracket mounting


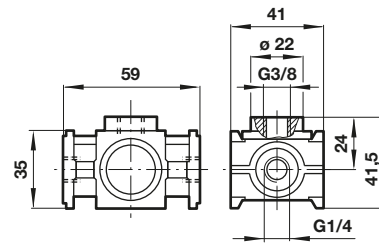
Rear entry bracket
18-026-981



1 'O'-ring (included in scope of supply of bracket)

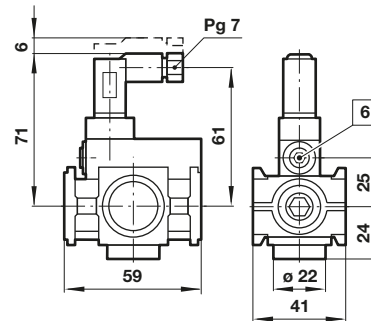
Porting block
74507-50

Dimensions in mm
Projection/First angle



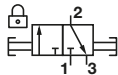
Adjustable pressure switch
4346-99

Voltage	24 V d.c./240 V a.c.
Current	0,5 A (d.c.); 5 A (a.c.)
Pressure range	2 ... 10 bar
Repeatability	2% of full set point range at 20°C
Average deadband	0,8 ... 1,7 bar
Electrical connection (corresponding to choosen coil)	EN 175301-803 - Form C, 15 mm
Degree of protection:	IP65
Adjustable	Standard
Material	Body: Aluminium, Elastomers: NBR

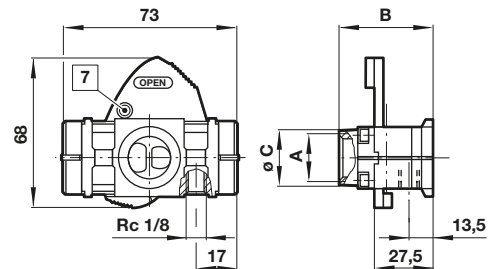


6 Adjusting screw

3/2 Shut-off valve

Symbol	A	B	ø C	Model
	G1/4	48	27	T64T-2G*-P1N
	G3/8	48	27	T64T-3G*-P1N
	G1/2	48	27	T64T-4G*-P1N
	G3/4	51	33	T64T-6G*-P1N

* B = Threaded inlet only, C = Threaded outlet only



7 Padlock hole ø7,5 mm

Warning

These products are intended for use in industrial compressed air systems only. Do not use these products where pressures and temperatures can exceed those listed under

»Technical features/data«.

Before using these products with fluids other than those specified, for non-industrial applications, life-support systems or other applications not within published specifications, consult IMI Precision Engineering, Norgren GmbH.

Through misuse, age, or malfunction, components used in fluid power systems can fail in various modes.

The system designer is warned to consider the failure modes of all component parts used in fluid power systems and to provide adequate safeguards to prevent personal injury or damage to equipment in the event of such failure.

System designers must provide a warning to end users in the system instructional manual if protection against a failure mode cannot be adequately provided.

System designers and end users are cautioned to review specific warnings found in instruction sheets packed and shipped with these products.