

# L68M, L68C - Olympian Plus plug-in system Lubricators

- > Port size: 3/4" ... 1 1/2" (ISO G/PTF)
- > Oil-fog option available
- > Micro-fog plug-in lubricators for best lubrication in general purpose pneumatic applications



## Technical features

### Medium:

Compressed air only  
**Maximum operating pressure:**  
 17 bar (246 psi)  
 10 bar (145 psi) for 5 litre bowl only  
**Start point:**  
 Minimum flow required for lubricator operation at 6,3 bar (91 psi) inlet pressure  
 Micro or Oil-fog: 6 dm<sup>3</sup>/s (13 scfm)  
 High flow lubricator:  
 52 dm<sup>3</sup>/s (110 scfm)

### Flow:

Micro & Oil-fog:  
 175 dm<sup>3</sup>/s (371 scfm)  
 High flow: 400 dm<sup>3</sup>/s (848 scfm)  
 Port size 1",  
 Operating pressure: 6,3 bar (91 psi)  
 Δp: 0,5 bar (7 psi)  
**Bowl size:**  
 0,5, 1 or 5 litre (17, 34 or 169 fluid oz)

### Drain:

Without standard  
 Manual optional  
**Ambient/Media temperature:**  
 -20 ... +80°C (-4 ... +176°F)  
 Air supply must be dry enough to avoid ice formation at temperatures below +2°C (+35°F).

### Materials:

Body and yoke: Aluminium  
 Bowl: Aluminium (0,5 and 1 l); Steel (5 l)  
 Sight glass: Pyrex (0,5 and 1 l); PA (5 l)  
 Sight dome: Grilamid TR55  
 Elastomers: NBR

## Technical data L68C - Oil-fog lubricators; standard models

Symbol	Port size	Size	Weight (kg)	Model
	G3/4	–	2,10	L68C-6GP-ERN
	G1	Basic	2,04	L68C-8GP-ERN
	G1 1/4	–	2,08	L68C-AGP-ERN
	G1 1/2	–	2,12	L68C-BGP-ERN
	Without yoke	–	0,94	L68C-NNP-ERN

## Technical data L68M - Micro-fog lubricators; standard models

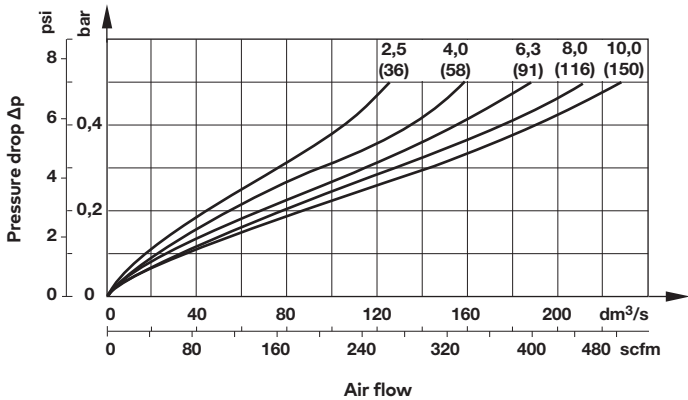
Symbol	Port size	Size	Weight (kg)	Model
	G3/4	–	2,10	L68M-6GP-ERN
	G1	Basic	2,04	L68M-8GP-ERN
	G1 1/4	–	2,08	L68M-AGP-ERN
	G1 1/2	–	2,12	L68M-BGP-ERN
	Without yoke	–	0,94	L68M-NNP-ERN

## Option selector

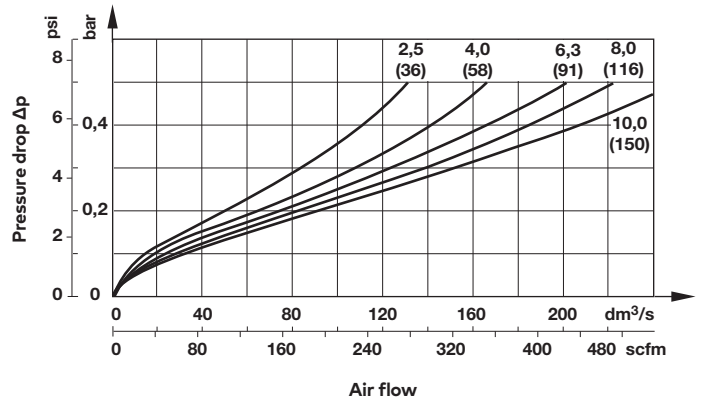
L68★-★★★-★★★

Type	Substitute	Quick fill device	Substitute
Oil-fog	C	Without (standard)	N
Micro-fog	M	With	Q
Port size	Substitute	Bowl	Substitute
3/4"	6	0,5 l (standard)	R
1"	8	1 l	U
1 1/4"	A	5 l	V
1 1/2"	B	Drain	Substitute
Without yoke	N	Closed bottom (standard)	E
Threads	Substitute	Manual	M
PTF	A	Type	Substitute
ISO G parallel	G	Standard	P
Without	N	»High flow« lubricator	E

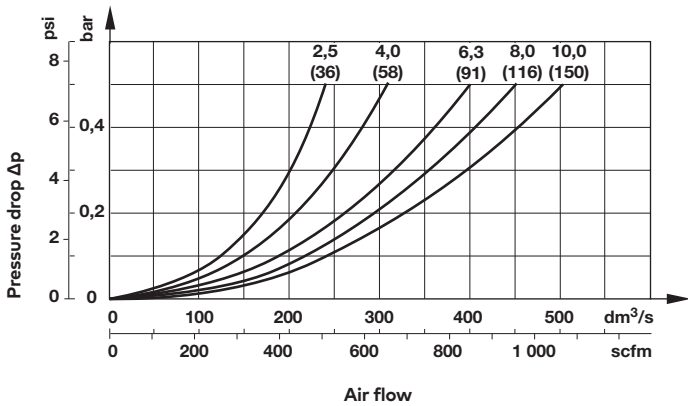
### Flow characteristics Oil-fog, Port size 1"



### Micro-fog, Port size 1"






### "High flow", Port size 1"



### Accessories

	Single yoke	Double yoke	End connector kit	Single yoke non threads	3/2 Shut-off valve Threaded inlet only	Threaded outlet only	Bracket mounting
<b>Thread</b>							
G3/4	Y68A-6GN-N1N	Y68A-6GN-N2N	5524-55	74785-98	T68H-6GB-B2N	T68H-6GC-B2N	18-001-979
G1	Y68A-8GN-N1N	Y68A-8GN-N2N	5524-52		T68H-8GB-B2N	T68H-8GC-B2N	18-001-979
G1 1/4	Y68A-AGN-N1N	Y68A-AGN-N2N	5523-52		T68H-AGB-B2N	T68H-AGC-B2N	18-001-978
G1 1/2	Y68A-BGN-N1N	Y68A-BGN-N2N	5523-93		T68H-BGB-B2N	T68H-BGC-B2N	18-001-972
3/4 PTF	Y68A-6AN-N1N	Y68A-6AN-N2N	5524-53		T68H-6AB-B2N	T68H-6AC-B2N	18-001-979
1 PTF	Y68A-8AN-N1N	Y68A-8AN-N2N	5524-50		T68H-8AB-B2N	T68H-8AC-B2N	18-001-979
1 1/4 PTF	Y68A-AAN-N1N	Y68A-AAN-N2N	5523-50		T68H-AAB-B2N	T68H-AAC-B2N	18-001-978
1 1/2 PTF	Y68A-BAN-N1N	Y68A-BAN-N2N	5523-95		T68H-BAB-B2N	T68H-BAC-B2N	18-001-972

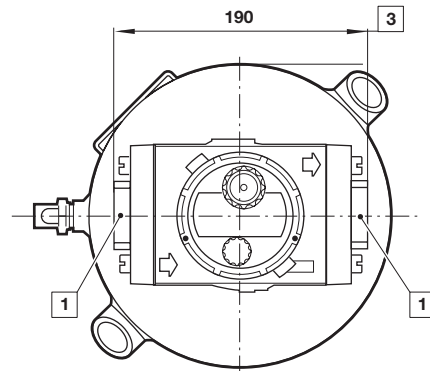
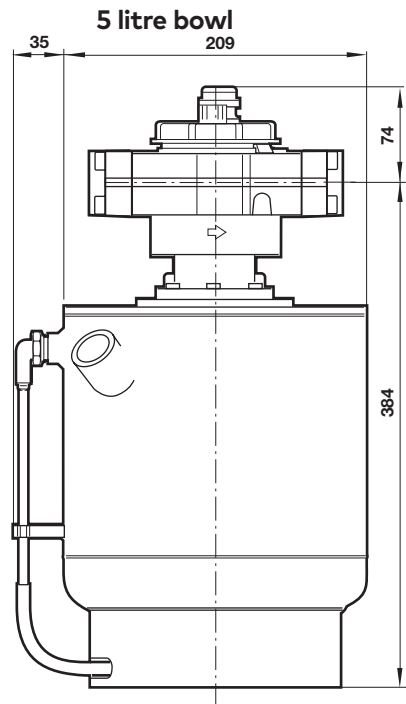
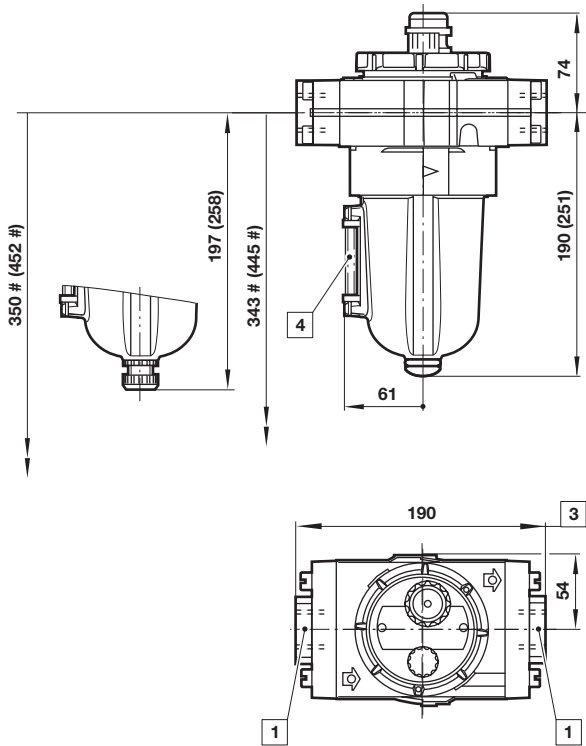
Nut	Quick fill device	Porting block
		
5520-89	18-011-021	18-026-986 (G1/4 & G1/2) 18-026-983 (1/4 & 1/2 NPT)

### Service kit

Service kit

L68C-KIT (Oil-fog) L68M-KIT (Micro-fog)

**Dimensions**

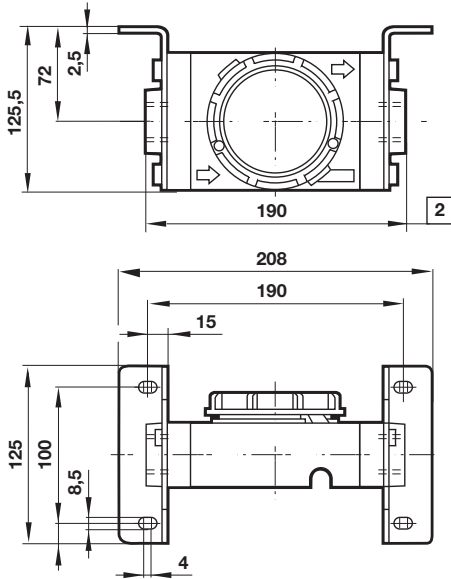
 Dimensions in mm  
 Projection/First angle


# Minimum clearance required to remove bowl

( ) values for 1 litre bowl

- 1 Main ports 3/4", 1", 1 1/4" or 1 1/2"
- 3 Plus 10 mm for ports 1 1/4" or 1 1/2"
- 4 Sight glass

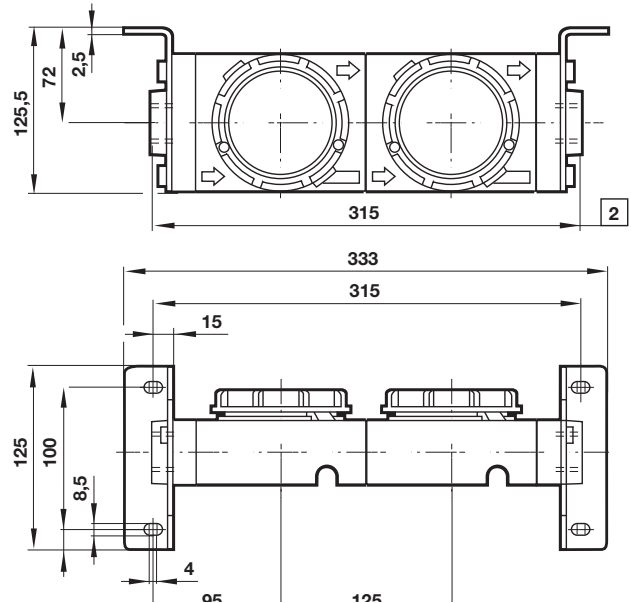
### Single yoke with bracket



1 For 1 1/4" and 1 1/2" ported yokes add 10 mm

### Double yoke with bracket

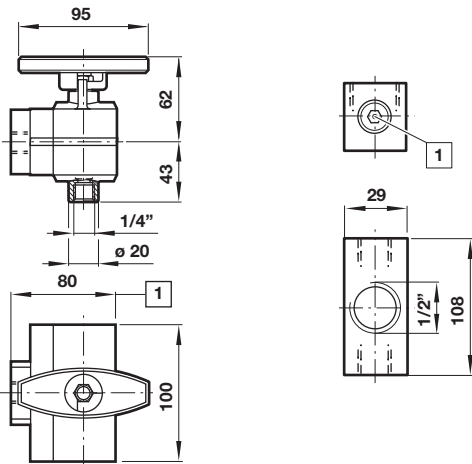
Dimensions in mm  
Projection/First angle



1 For 1 1/4" and 1 1/2" ported yokes add 10 mm

### 3/2 Shut-off valve

### Porting block



1 For 1 1/2" ported yokes add 5 mm

1 Two additional plugged G1/4 ports

### Warning

These products are intended for use in industrial compressed air systems only. Do not use these products where pressures and temperatures can exceed those listed under **»Technical features/data«**.

Before using these products with fluids other than those specified, for non-industrial applications, life-support systems or other applications not within published specifications, consult IMI Precision Engineering.

Through misuse, age, or malfunction, components used in fluid power systems can fail in various modes.

The system designer is warned to consider the failure modes of all component parts used in fluid power systems and to provide adequate safeguards to prevent personal injury or damage to equipment in the event of such failure.

System designers must provide a warning to end users in the system instructional manual if protection against a failure mode cannot be adequately provided.

System designers and end users are cautioned to review specific warnings found in instruction sheets packed and shipped with these products.